

# ZX AAA



USB-C Built in



## Features

Coast's AA rechargeable battery incorporates COAST ZX Optimized Voltage™ technology, featuring proprietary voltage step-down circuitry to dynamically adjust the power supply, mimicking the discharge characteristics of traditional alkaline batteries. Integrated safety circuitry ensures protection against overcharging and over-discharging. The leak-resistant battery casing reduces the risk of corrosion during extended usage while preserving device integrity. The battery includes a USB-C charge port for efficient recharging, and features LED status indicators for real-time feedback on the charging process.

## General Battery Specifications

Classification:	Rechargeable Cylindrical Lithium-Ion
Designation:	1.5V Lithium R03, 1.5V Lithium AAA
Nominal Voltage:	1.5 volts
Nominal Capacity:	750 mAh
Nominal Energy:	940 mWh
Typical Weight:	8.5 gram (0.3 oz.)
Typical Volume:	3.5 cubic cm (0.21 cubic inch)
Operating Temp:	-18°C~55°C (0°F~130°F)
Jacket:	Plastic Label

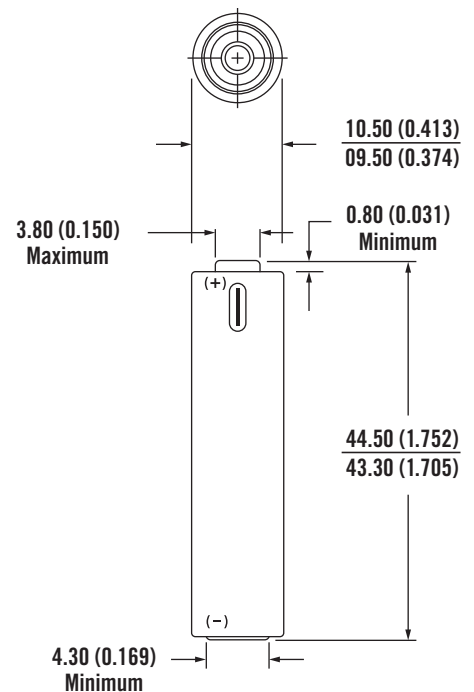
## Electrical Specifications

Charge-in Port:	USB-C
Charge Current:	Approx. 330mA
Charge Indicator:	Red: Charging; Green: Fully Charged
Charge Time:	Approx. 1.3 Hours
Overcharge Protection:	4.275±0.075V
Over-discharge Protection:	0.6±0.05V
Cycle Life:	1000 cycles

## Approvals

CEC Compliant  
CE (CE-EMC)  
UN38.3

## ANSI/IEC Standard Dimensions mm (inches)



COAST®

8033 NE Holman | Portland, OR 97218 | 1.800.426.5858 | COASTportland.com

Contents are subject to change without notice and do not constitute a warranty. Performance may vary by device, for reference only.