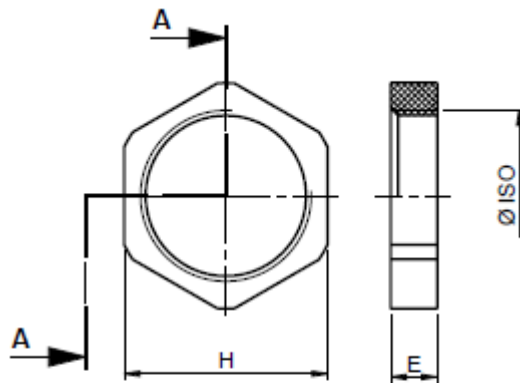


Artikel: 578.17.S & 578.20.S



Polyamid 6 25% Glass fiber

Continuous  
temperature  
- 30 / + 120° C

ISO	H mm	E mm
M16	22	5
M20	24	5