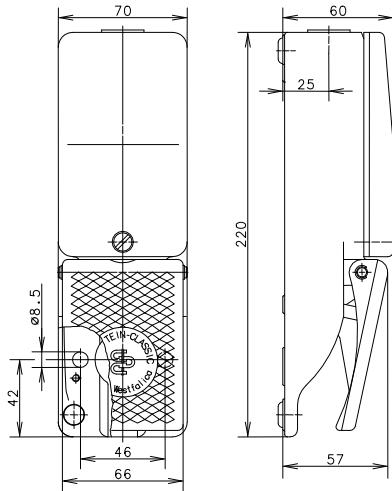


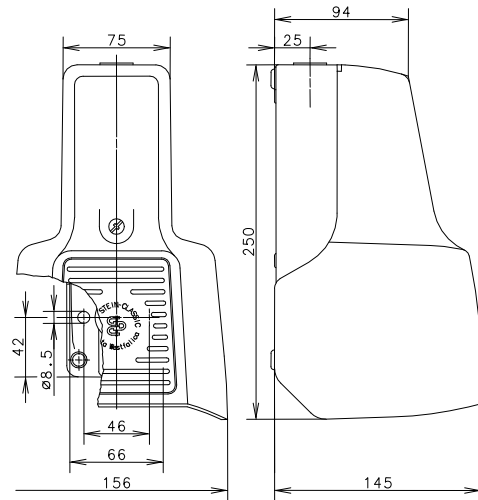
Technical Data

Foot-switch

Foot-switch (1 pedal) Protective guard UN

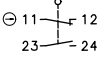
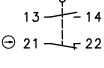
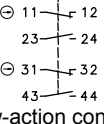
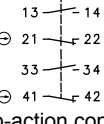


F1



F1 (UN)

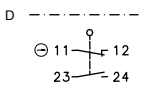
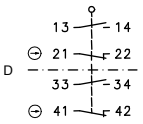
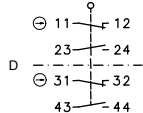
Standard

Switching symbol	Contact type	F1 With cover	F1 With protective guard
<p>U1Z</p>  <p>Slow-action contact</p>	<p>1 N.C. 1 N.O. (Zb)</p>	<p>6061100005 ¹⁾ F1-U1Z with DGUV (see page 3)</p>	<p>6061600006 ¹⁾ F1-U1Z UN with DGUV (see page 3)</p>
<p>SU1Z</p>  <p>Snap-action contact</p>	<p>1 N.C. 1 N.O. (Zb)</p>	<p>6061300011 ¹⁾ F1-SU1Z with DGUV (see page 3)</p>	<p>6061800012 ¹⁾ F1-SU1Z UN with DGUV (see page 3)</p>
<p>U2Z</p>  <p>Slow-action contact</p>	<p>2 N.C. 2 N.O. (Zb)</p>	<p>6061200003 ²⁾ F1-U2Z with DGUV (see page 3)</p>	<p>6061700004 ²⁾ F1-U2Z UN with DGUV (see page 3)</p>
<p>SU2Z</p>  <p>Snap-action contact</p>	<p>2 N.C. 2 N.O. (Zb)</p>	<p>6061400061 ²⁾ F1-SU2Z with DGUV (see page 3)</p>	<p>6061900062 ²⁾ F1-SU2Z UN with DGUV (see page 3)</p>

- 1) Cable entry size 1 x M20x1,5
2) Cable entry size 3 x M20x1,5

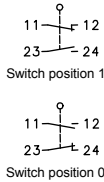
This document will not become the contractual basis; the details included herein do not constitute any descriptions of expected conditions, so that warranties/claims for defects on account of possible variations of the actual qualities from the qualities described herein are explicitly excluded. All rights reserved. Specifications subject to change without notice!

Pressure point (D)

Switching symbol	Contact type	F1 With cover	F1 With protective guard
<p>U1ZD</p>  <p>Slow-action contact</p>	<p>1 N.C. 1 N.O. (Zb)</p>	<p>6061100009 ¹⁾ F1-U1ZD</p>	<p>6061600010 ¹⁾ F1-U1ZD UN</p>
<p>SU2ZD</p>  <p>Snap-action contact</p>	<p>2 N.C. 2 N.O. (Zb)</p>	<p>--- ---</p>	<p>6061900433 ²⁾ F1-SU2ZD UN</p>
<p>U2ZD</p>  <p>Slow-action contact</p>	<p>2 N.C. 2 N.O. (Zb)</p>	<p>6061200007 ²⁾ F1-U2ZD with DGUV (see page 3)</p>	<p>6061700008 ²⁾ F1-U2ZD UN with DGUV (see page 3)</p>

- 1) Cable entry size 1 x M20x1,5
2) Cable entry size 3 x M20x1,5

Latch Contact (Y)

Switching symbol	Contact type	F1 With cover	F1 With protective guard
<p>U1Y</p>  <p>Slow-action contact</p>	<p>1 N.C. 1 N.O. (Zb)</p>	<p>6061100001 ¹⁾ F1-U1Y with DGUV (see page 3)</p>	<p>6061600002 ¹⁾ F1-U1Y UN with DGUV (see page 3)</p>

Switch position 1: normally closed contact: closed, Make contact: open (self-holding contact)

Switch position 0: normally closed contact: open, Make contact: closed (self-holding contact)

- 1) Cable entry size 1 x M20x1,5
2) Cable entry size 3 x M20x1,5

This document will not become the contractual basis; the details included herein do not constitute any descriptions of expected conditions, so that warranties/claims for defects on account of possible variations of the actual qualities from the qualities described herein are explicitly excluded. All rights reserved. Specifications subject to change without notice!

General data

Electrical data		
Rated insulation voltage	U_i	400 VAC
Conv. thermal current	I_{the}	10 A
Rated operational voltage	U_e	240 V
Utilization category		AC-15, U_e/I_e 240 V / 3 A
Direct opening action	⊖	acc. to IEC/EN 60947-5-1, Annex K (pedal stop)
Short-circuit protective device		Fuse 10 A gG (slow-action contact) Fuse 2 A gG (snap-action contact)
Protection class		I

Mechanical Data	
Enclosure	AL
Cover	AL
Protective guard (Accident protection cover UN)	AL
Actuator	Foot lever (PA)
Ambient air temperature	-30 °C ... +80 °C
Operating force (standard)	≈ 10 N (pedal centre)
Pressure point	200 N ± 10 % (pedal centre)
Mechanical life	10 x 10 ⁶ switching cycles
Switching frequency	≤ 50/min
Assembly	2 x M8
Connection	Screw connections (M3,5)
Protection ground	2 x M4
Conductor cross-sections	Solid: 0,5 ... 1,5 mm ² Litz wire with ferrules: 0,5 ... 1,5 mm ²
Weight including cover	≈ 0,6 kg
Weight including protective guard	≈ 1,5 kg
Protection type	IP65 acc. to IEC/EN 60529

ID for safety engineering	
B10d	20 x 10 ⁶ switching cycles

Standards	
	VDE 0660 T100, DIN EN 60947-1, IEC 60947-1
	VDE 0660 T200, DIN EN 60947-5-1, IEC 60947-5-1

EU Conformity	
	acc. to Directive 2006/95/EC
	acc. to Directive 2006/42/EC (Latch Contact (Y) excluded)

Approvals	
	DGUV
	cCSA _{US} A300, Q300 (same polarity)

Notes

Tapped holes not in use must be closed with blind plugs. The degree of protection (IP code) specified applies only to a properly closed cover and in connection with the appropriate cable glands or blind plugs.

This document will not become the contractual basis; the details included herein do not constitute any descriptions of expected conditions, so that warranties/claims for defects on account of possible variations of the actual qualities from the qualities described herein are explicitly excluded. All rights reserved. Specifications subject to change without notice!