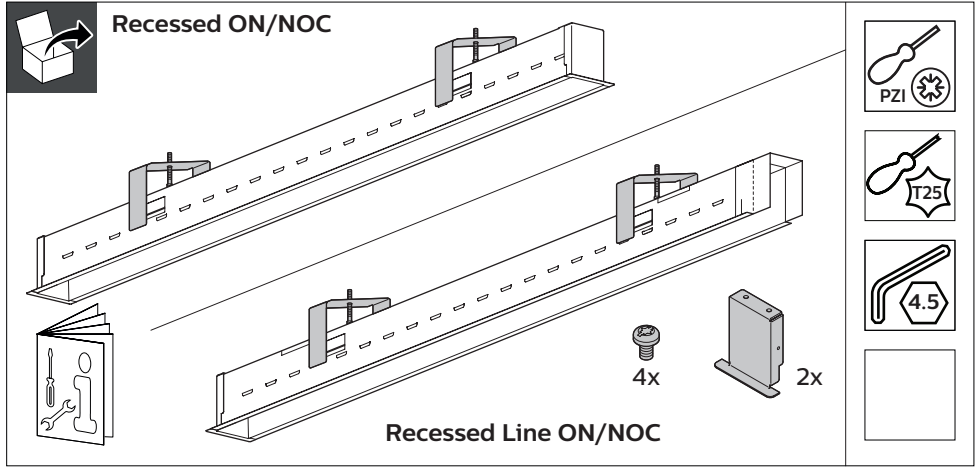


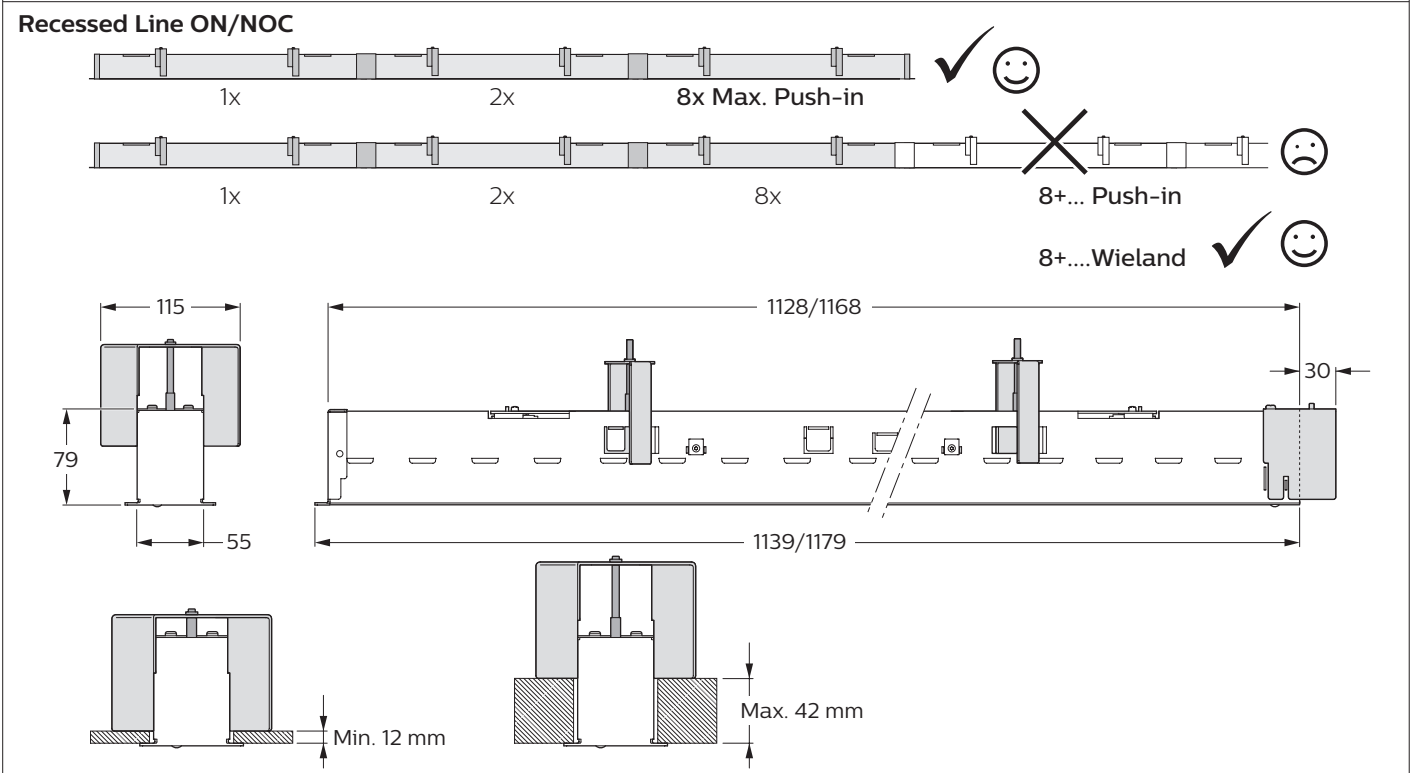
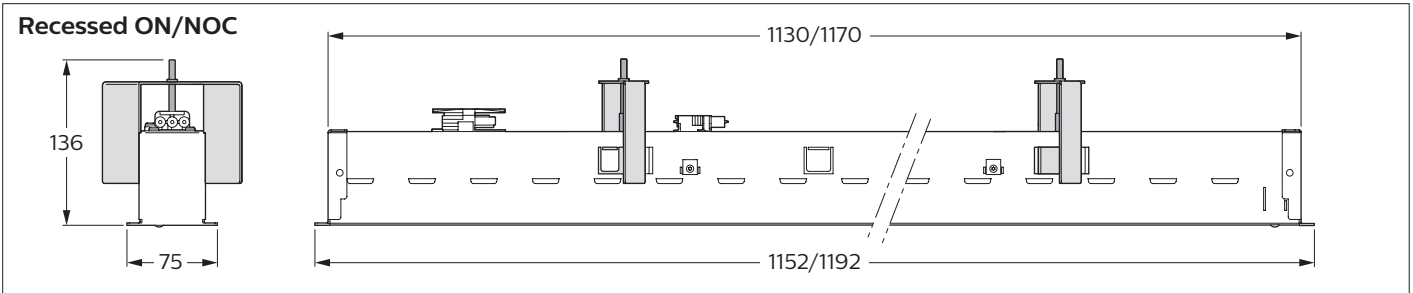
# PHILIPS

## TrueLine

RC530B



			Sensor/ Blind sensor holder.	VPC	PCV
Recessed ON/NOC	VPC/PCV	L1130	-	2.4	2.6
		L1170	•	2.6	2.8
Recessed Line ON/NOC	VPC/PCV	L1130	-	2.5	2.7
		L1170	•	2.7	2.9

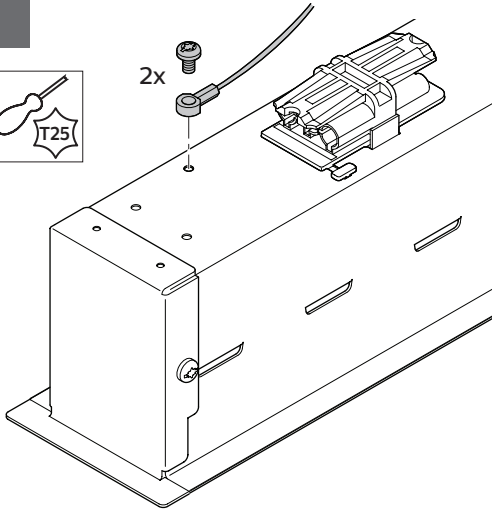




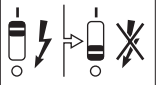
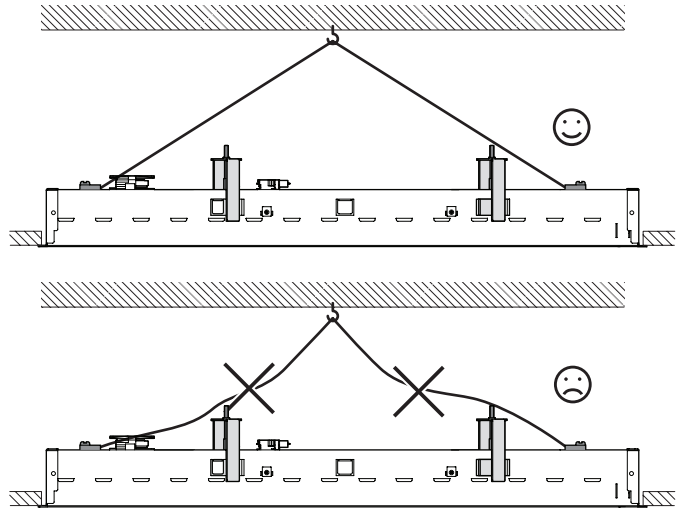
Recessed ON/NOC



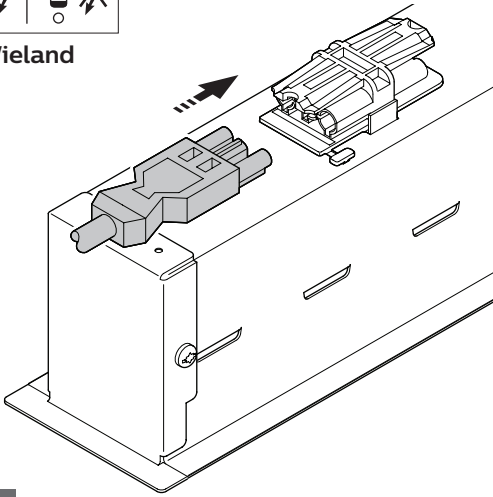
2x



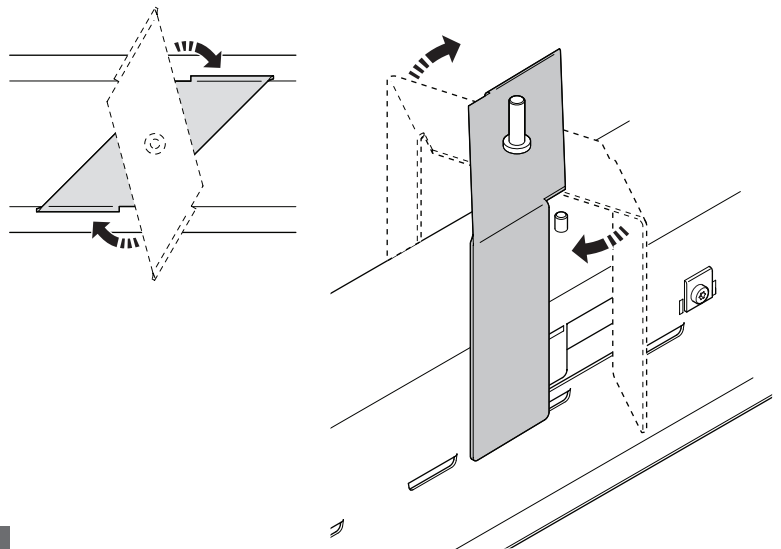
1



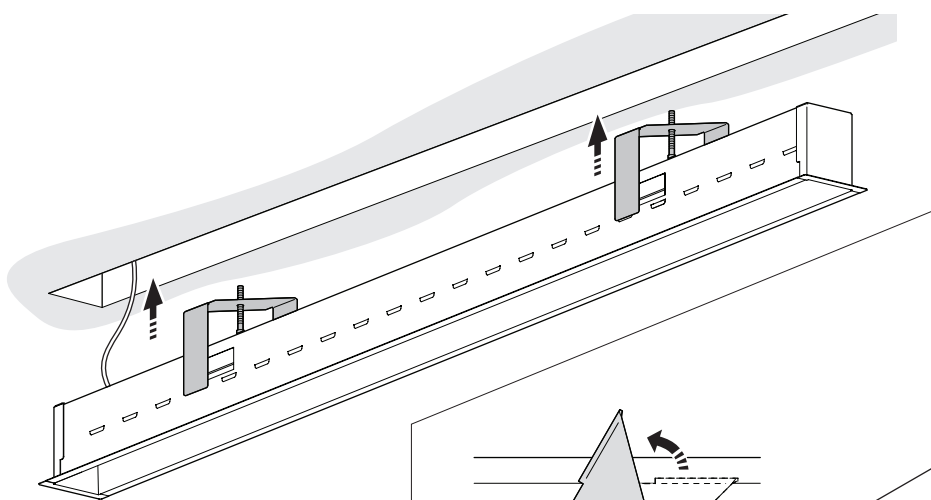
Wieland



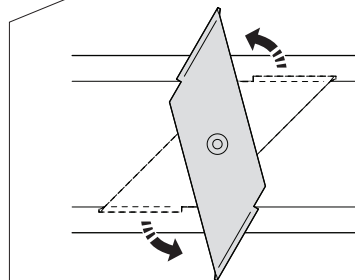
2



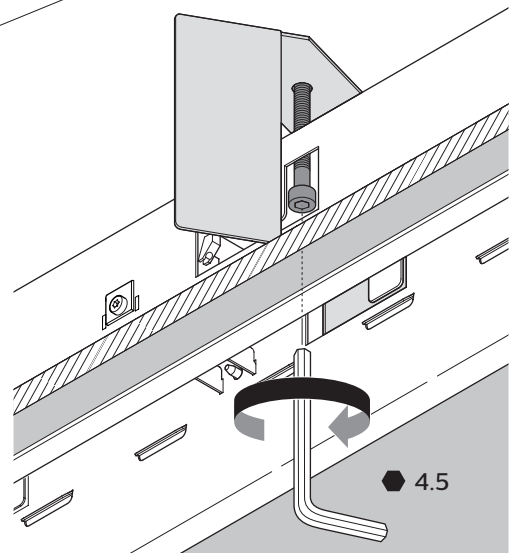
3



4



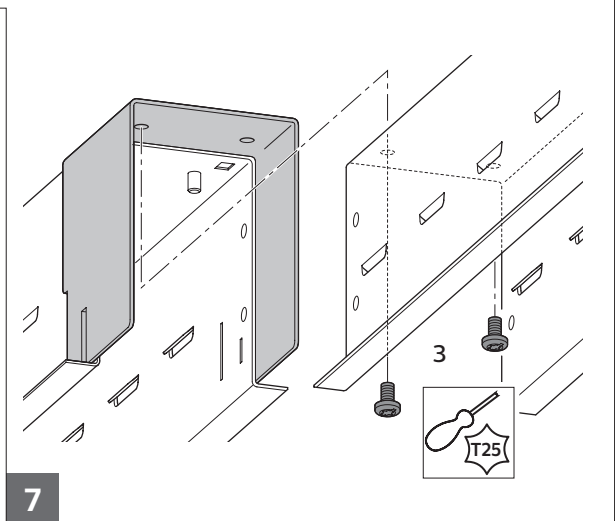
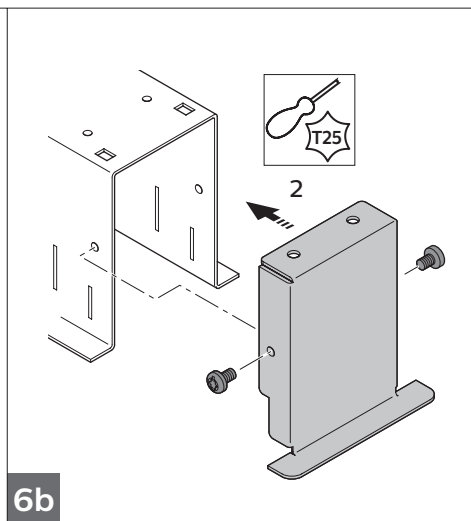
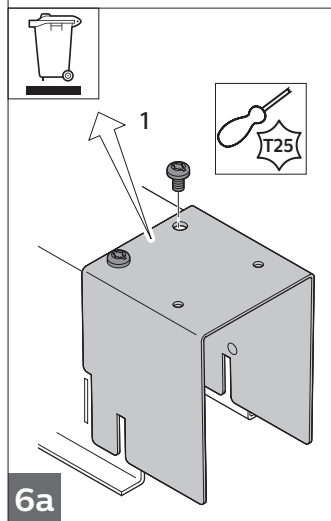
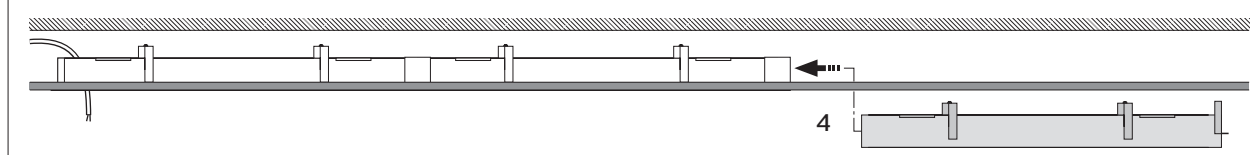
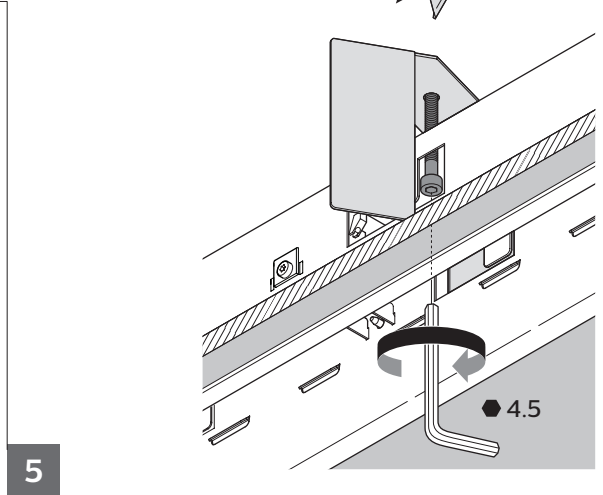
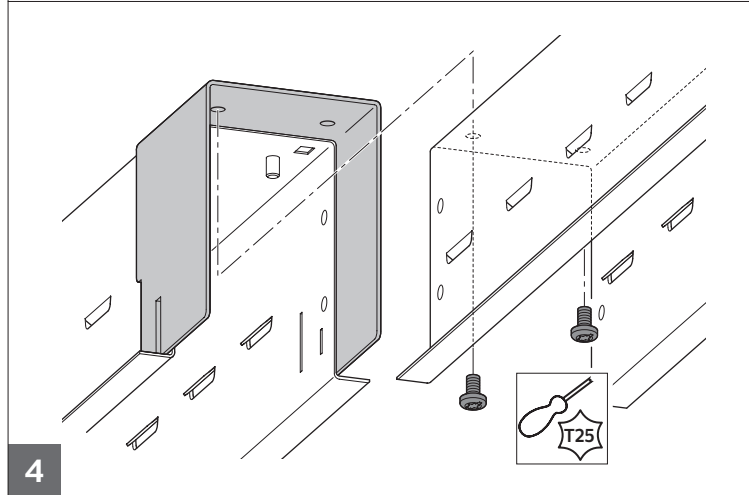
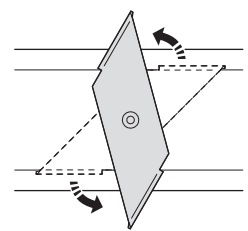
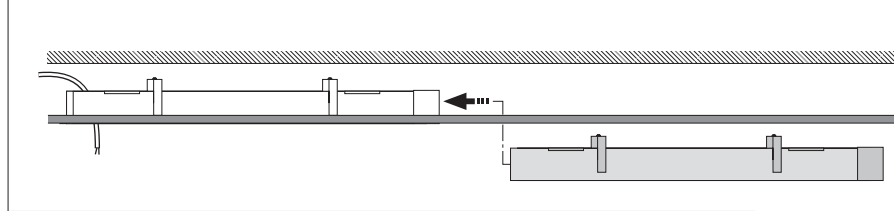
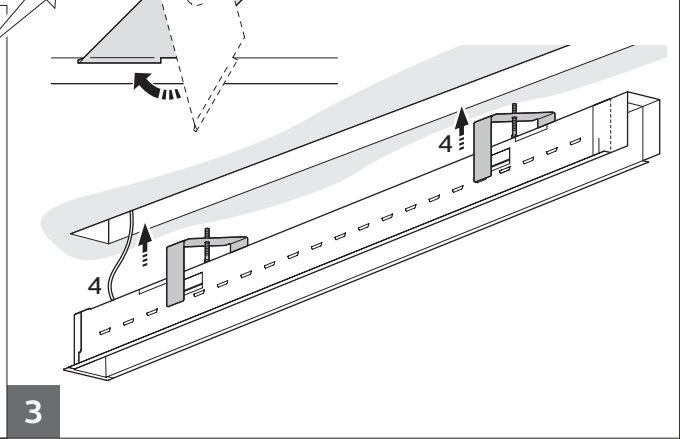
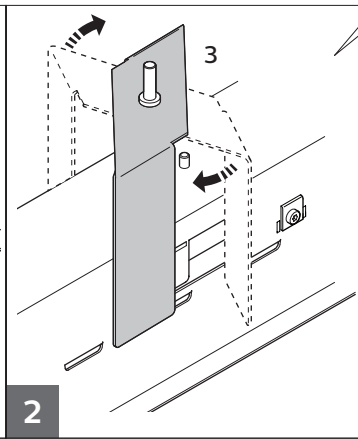
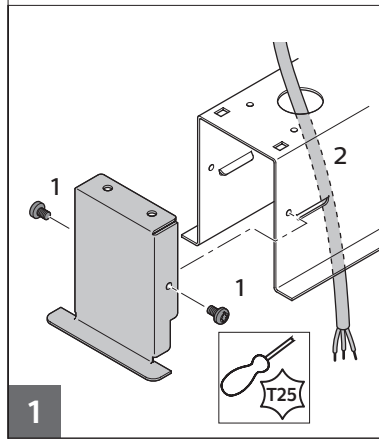
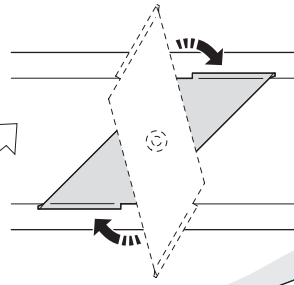
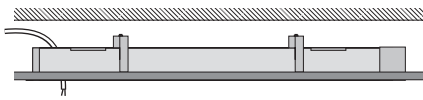
5

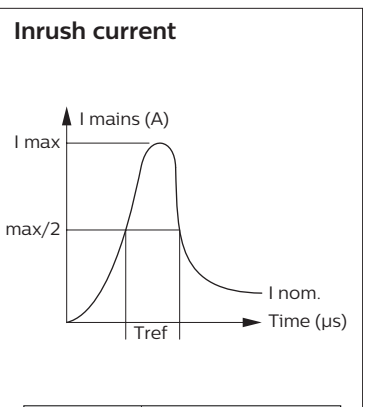
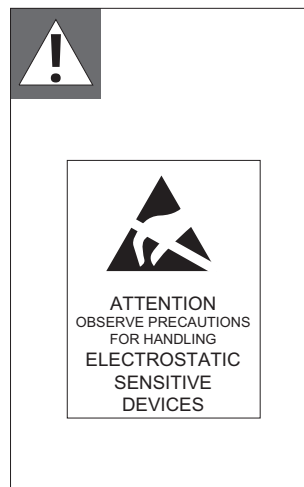
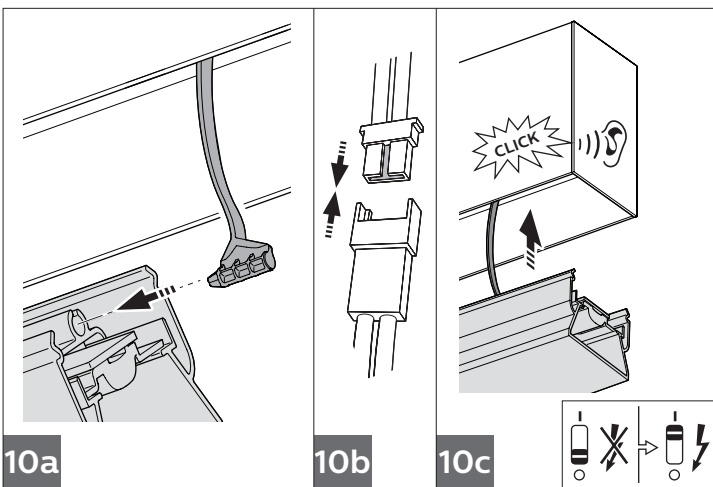
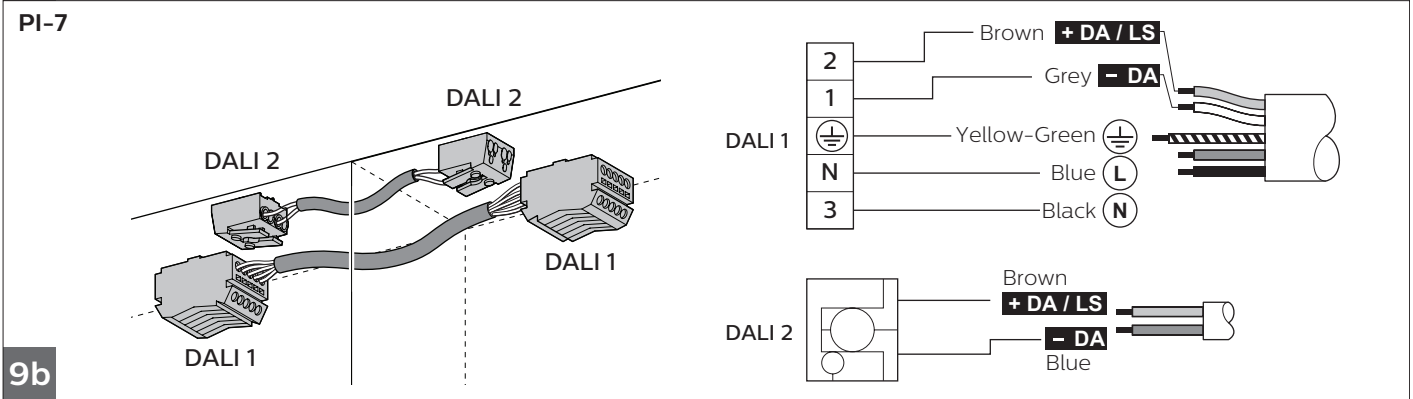
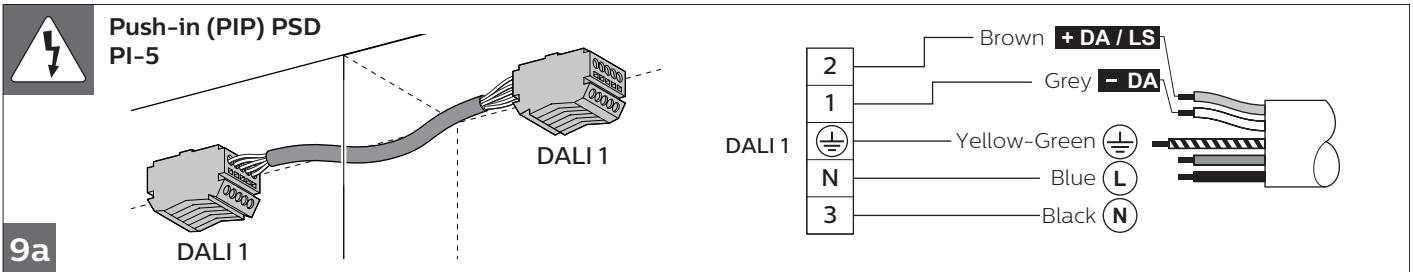
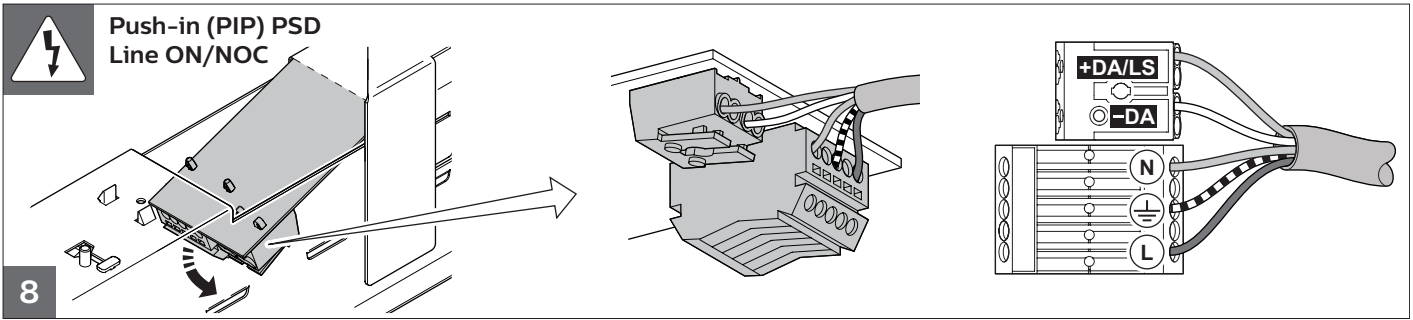


4.5

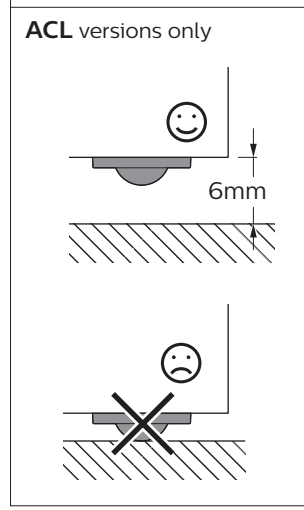
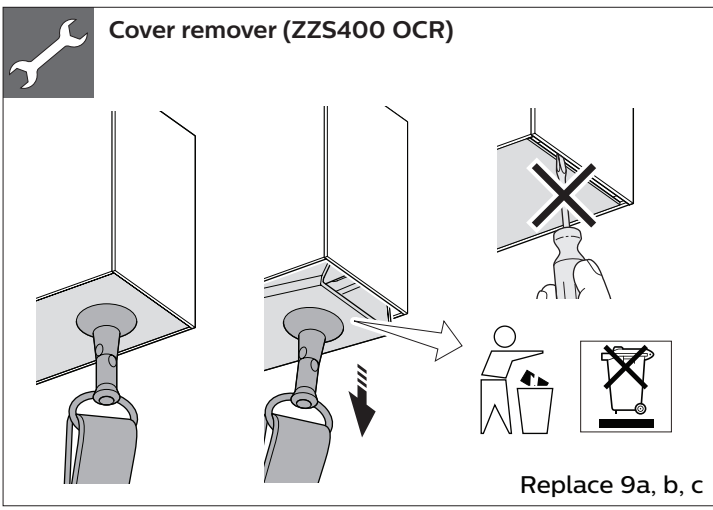


# Recessed Line ON/NO





I <sub>max</sub> (A)	19
T <sub>ref</sub> (µs)	280



Condition:  
Input voltage 220V

MCB	Luminaires Max.
B-10A	15
B-13A	19
B-16A	24
B-20A	30
C-25A	37
C-10A	24
C-13A	32
C-16A	40
C-20A	49
C-25A	62