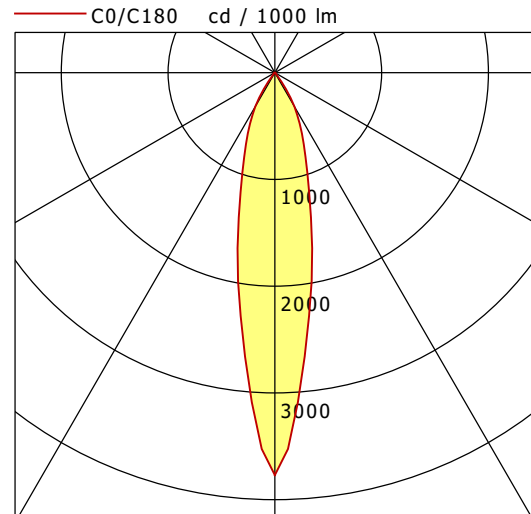
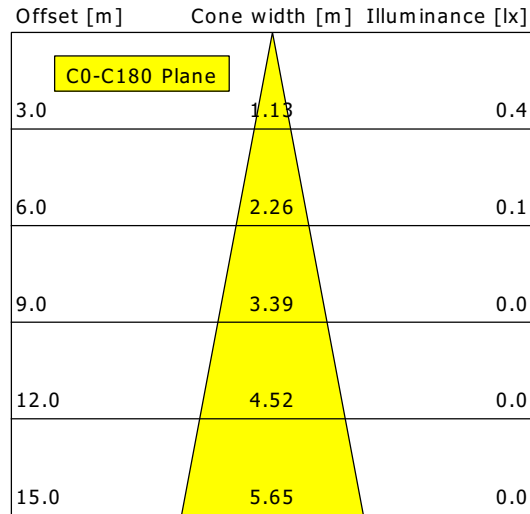


JAMIE 301.927.15.2/DALI-EU

Jamie 300 (1xLED 16W 927/2700K 1lm 15 °)



	C0	C90	C180	C270
0°	3770	3770	3770	3770
15°	1275	1275	1275	1275
30°	366	366	366	366
45°	14	14	14	14
60°	12	12	12	12
75°	5	5	5	5
90°	0	0	0	0
cd / 1000 lm				



η	100.2%
Efficiency	0 lm/W
Direct/Indirect	↓ 100% / ↑ 0%
System Power	16 W
UGR	X=4H, Y=8H
Reflection factors	70/50/20
UGR C0/C180	< 10.0
UGR C90/C270	< 10.0
CIE Flux Codes	96 99 100 100 100
Ra/CRI	> 90