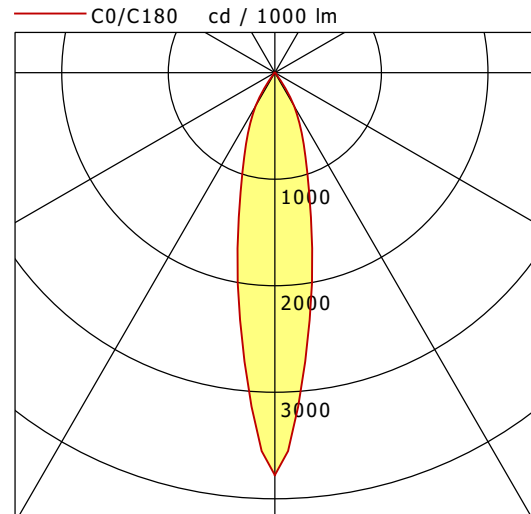
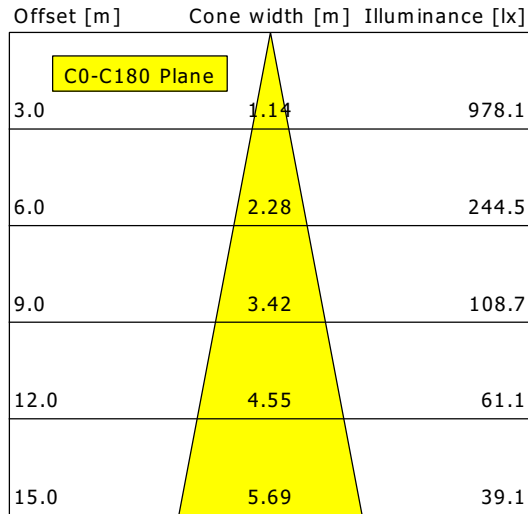


JAMIE 302.930.15.2/DALI-ST

Jamie 300 (1xLED 25W 930/3000K 2330lm 15 °)



	C0	C90	C180	C270
0°	3778	3778	3778	3778
15°	1276	1276	1276	1276
30°	362	362	362	362
45°	14	14	14	14
60°	12	12	12	12
75°	5	5	5	5
90°	0	0	0	0
cd / 1000 lm				



η	LED
Efficiency	93 lm/W
Direct/Indirect	↓ 100% / ↑ 0%
System Power	25 W
UGR	X=4H, Y=8H
Reflection factors	70/50/20
UGR C0/C180	19.3
UGR C90/C270	19.3
CIE Flux Codes	96 99 100 100 100
Ra/CRI	>90