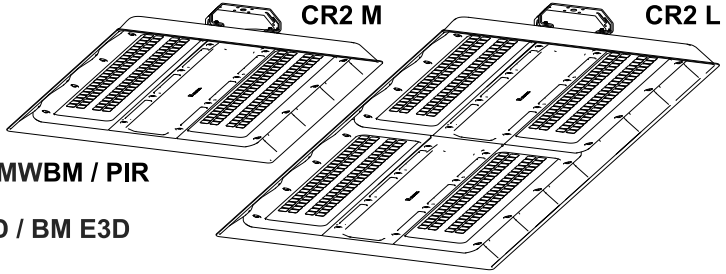




**CR2 M**  
**CR2 L**

- EVG / LDO
- TEC / TEC-IP
- QC3 / QC5
- MWS / MWCF / BM / MWBM / PIR
- E3 / E3D / E3DUK
- MWS E3 / MWCF E3D / BM E3D

- PC / PM / CH
- WB / VWB / NB
- AB / WBCG / NBCG



IP66

IK08  
IK07



CR2-NI

**EN Mounting instructions**  
Important notices. Please, read first! Keep the instructions safe! Specifications are subject to change without notice! If you have questions, please contact the manufacturer.

**DE Montageanleitung**  
Wichtige Hinweise. Bitte zuerst lesen! Anleitung aufbewahren! Technische Änderungen vorbehalten! Bei Fragen wenden Sie sich an den Hersteller.

**FR Notice de montage**  
Remarques importantes. À lire en premier lieu! Conservez cette notice! Modifications techniques sans préavis! Si vous avez des questions, veuillez contacter le fabricant.

**IT Istruzioni di montaggio**  
Nota importanti. Si prega di leggere prima! Conservare le istruzioni! Modifiche tecniche senza preavviso! Per chiarimenti rivolgersi al produttore.

**ES Instrucciones de montaje**  
Notas importantes. Por favor, lea primero! ¡Guarde las instrucciones! ¡Reservado el derecho de realizar modificaciones técnicas sin preaviso! Si tiene alguna pregunta, póngase en contacto con el fabricante.

**NL Montagehandleiding**  
Belangrijke informatie. Gelieve eerst te lezen! Houd deze gebruiksaanwijzingen zorgvuldig bij! Technische wijzigingen blijven voorbehouden! Als u vragen hebt, kan u contact opnemen met de fabrikant.

**SV Installationsanvisning**  
Viktigt information. Läs först! Spara anvisningen! Med reservation för tekniska ändringar! Om du har frågor ber vi dig ta kontakt med tillverkaren.

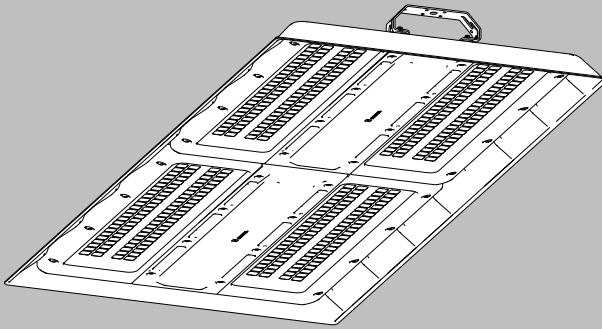
**FI Asennusohje**  
Tärkeä huomautus. Lue ensin! Säilytä käyttöopas! Oikeudet teknisiin muutoksiin pidätetään! Lähetä mahdolliset kysymykset valmistajalle.

**RU Инструкция по монтажу**  
Важная информация. Просьба ознакомиться перед началом работ! Сохраняйте инструкцию! Компания сохраняет за собой право на внесение технических изменений. При возникновении вопросов обращайтесь к производителю.

**PL Instrukcja montażu**  
Ważne wskazówki/ uwagi. Proszę pierwsze przeczytać całość instrukcji. Proszę zachować instrukcję! Zastrzegam się prawo do wprowadzania zmian technicznych. W razie pytań skontaktuj się z producentem.

**ZH 安装说明**  
重要提示。请先阅读！保留本说明！  
请勿执行技术变动！  
如有问题，请咨询制造商。

**AR تعليمات التركيب**  
ملاحظات هامة. يرجى القراءة أولاً!  
إبقاء التعليمات!  
تخضع المواصفات للتغيير دون تقديم إشعار!  
إذا كان لديك أسئلة، الرجاء الاتصال بالشركة المصنعة.



i

OPTIONS



[www.zumtobel.com/craft2](http://www.zumtobel.com/craft2)



### SENSOR OPTIONS

(pages 24-28)

- MWS: presence detector
- MWCF: pres. detector + Corridor Function
- MWBM: presence detector + bmLINK
- PIR: motion detector + monitoring of ambient light

### EMERGENCY OPTIONS

(pages 29-31)

- E3, E3D, E3DUK: self-contained
- MWS E3: self-contained + sensor
- MWCF E3D: self-contained + sensor
- BM E3D: self-contained + bluetooth
- all others: centrally supplied

### CONNECTION OPTIONS

- QC3, QC5: Quick Connect (pages 16-17)
- TEC: TECTON-Adapter (pages 18-19)
- TEC-IP:TECTON IP-Adapter (pages 20-23)

i

### OPTIONS bmLINK

- CR2 BM
- CR2 MWBM
- CR2 BM E3D



DALI via Bluetooth® Mesh



[www.zumtobel.com/bmLINK](http://www.zumtobel.com/bmLINK)



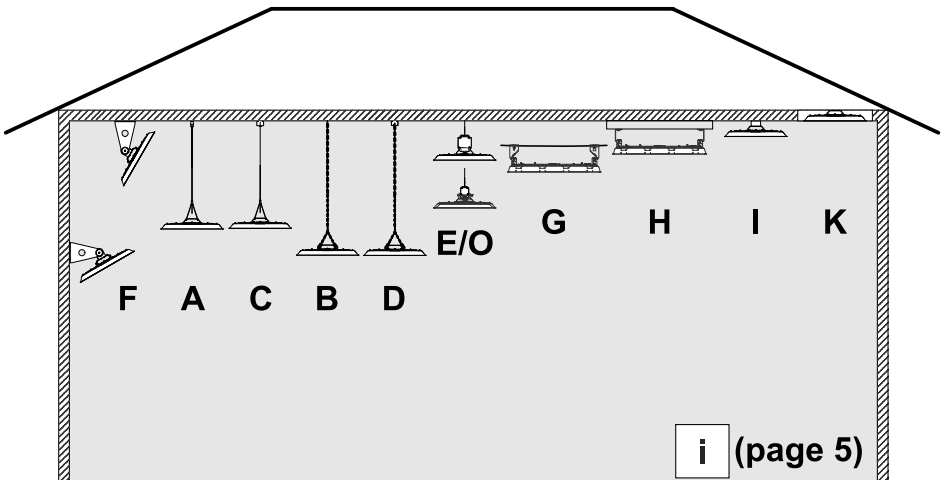
i

IP66

IK08  
IK07



### MOUNTING OPTIONS (overview)

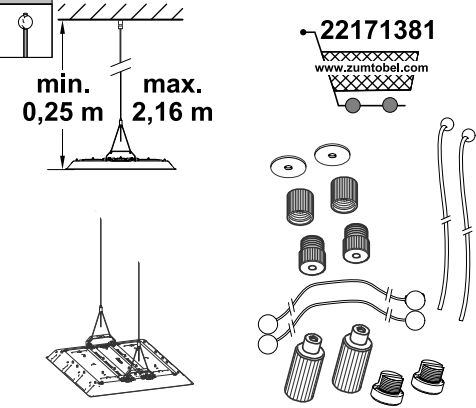


i (page 5)

**i** MOUNTING OPTIONS (ACCESSORIES)

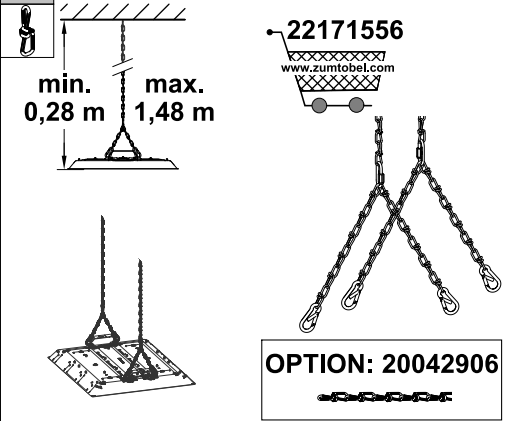
**A** CR2 M/L + Cord

page 7



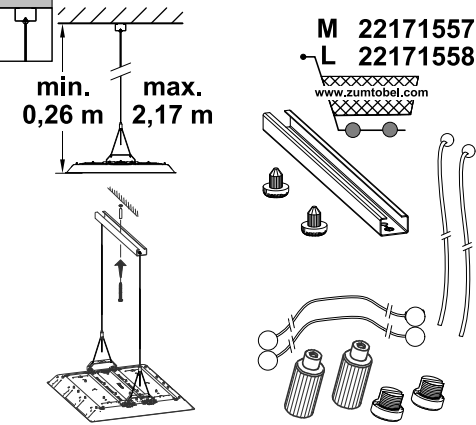
**B** CR2 M/L + Chain

page 8



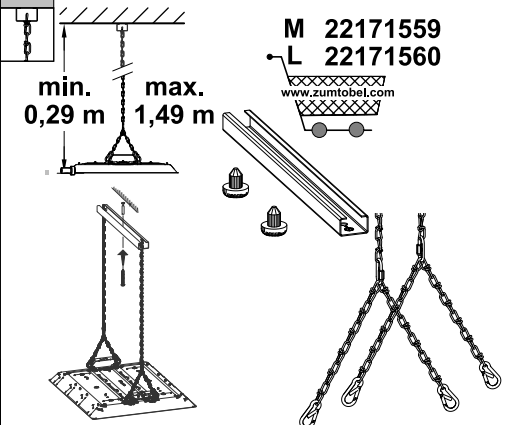
**C** CR2 M/L + OnePoint Cord

page 9



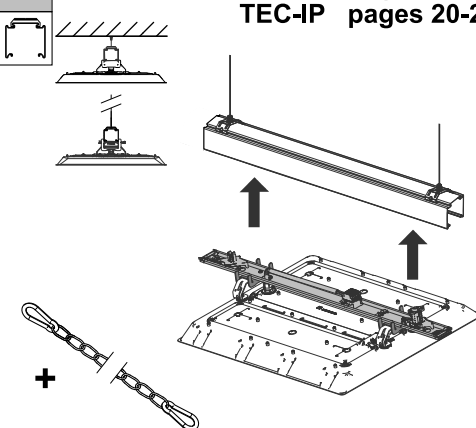
**D** CR2 M/L + OnePoint Chain

page 9



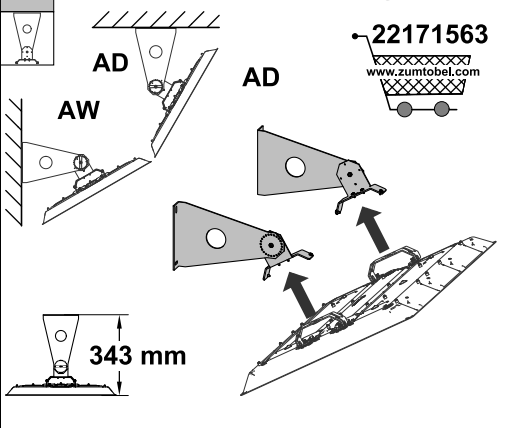
**E/O** CR2 M/L

TEC pages 18-19  
TEC-IP pages 20-23



**F** CR2 M/L + AD/AW

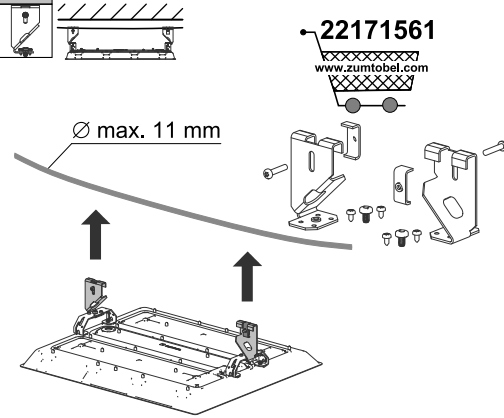
pages 10-12



**i** MOUNTING OPTIONS (ACCESSORIES)

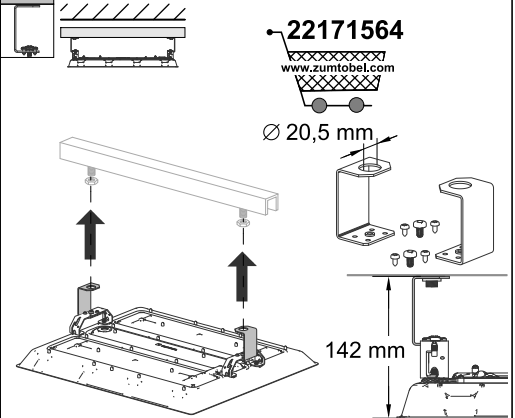
**G** CR2 M/L + ASP

page 13



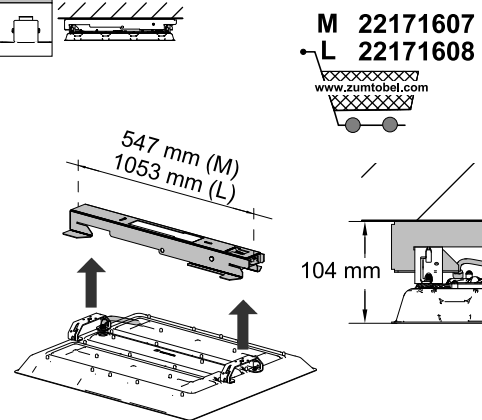
**H** CR2 M/L + UK M20

page 13

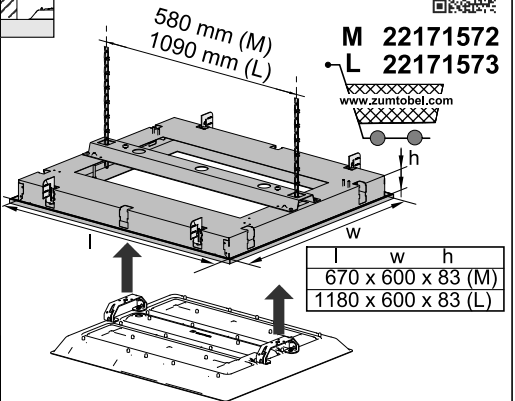


**I** CR2 M/L + ceiling mounting


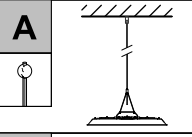
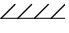

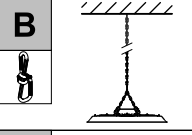
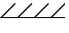
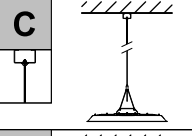
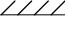

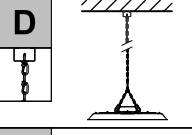
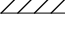

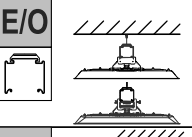
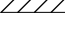




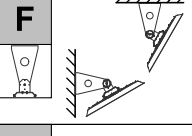


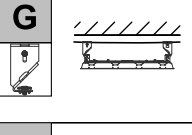
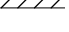
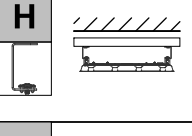
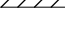

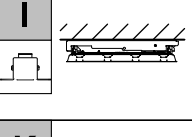
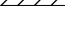

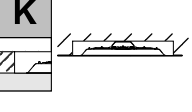
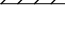

page 14



**K** CR2 M/L + mounting frame

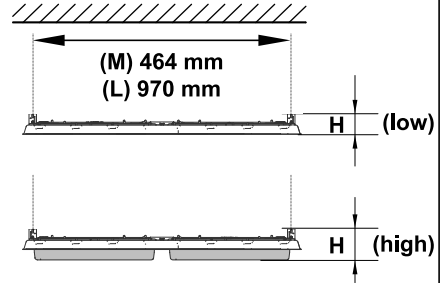


# i MOUNTING OPTIONS

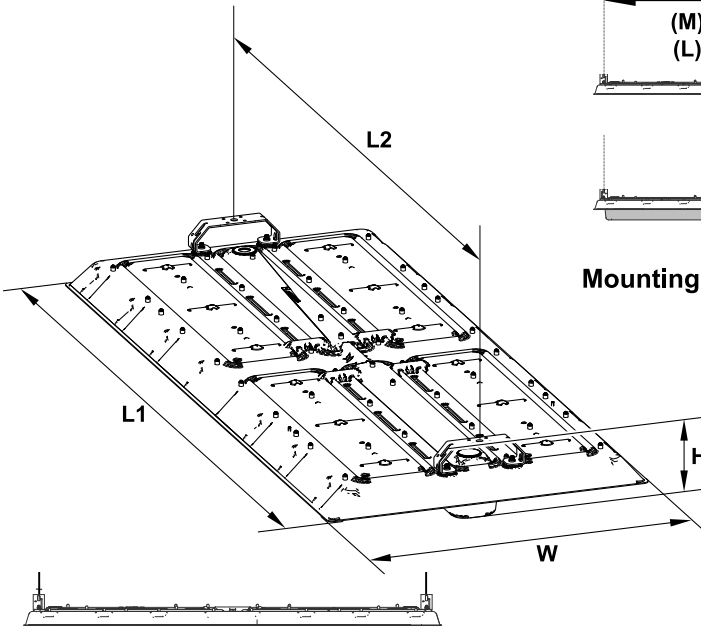
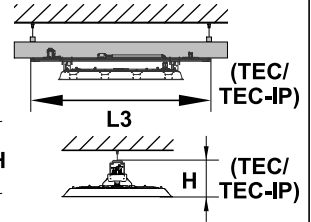
CR2 M/L	ceiling/ wall	PC	PM	CH	BM MWBM	PIR	E3, E3D E3D-UK	BWS 
<b>A</b> 		✓	✓	✓	✓	✓	✓	
<b>B</b> 		✓	✓	✓	✓	✓	✓	✓
<b>C</b> 		✓	✓	✓	✓	✓	✓	
<b>D</b> 		✓	✓	✓	✓	✓	✓	
<b>E/O</b> 		✓	✓	✓				
<b>F</b> 		✓	✓	✓	✓	✓	✓	
<b>G</b> 		✓	✓	✓	✓	✓	✓	✓
<b>H</b> 		✓	✓	✓	✓	✓	✓	
<b>I</b> 		✓	✓	✓	✓	✓	✓	
<b>K</b> 		✓	✓	✓	✓		✓	✓

# i DIMENSIONS

## Mounting Options: ABCD FGHK

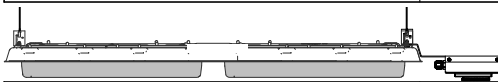


## Mounting Options: E/O (TECTON)



(low)

Basic Versions:	Length L1	Length L2	Width W	Height H	Weight kg
CRAFT II M	540 mm	464 mm	470 mm	77 mm	4,9 kg
CRAFT II L	1045 mm	970 mm	470 mm	77 mm	9,2 kg



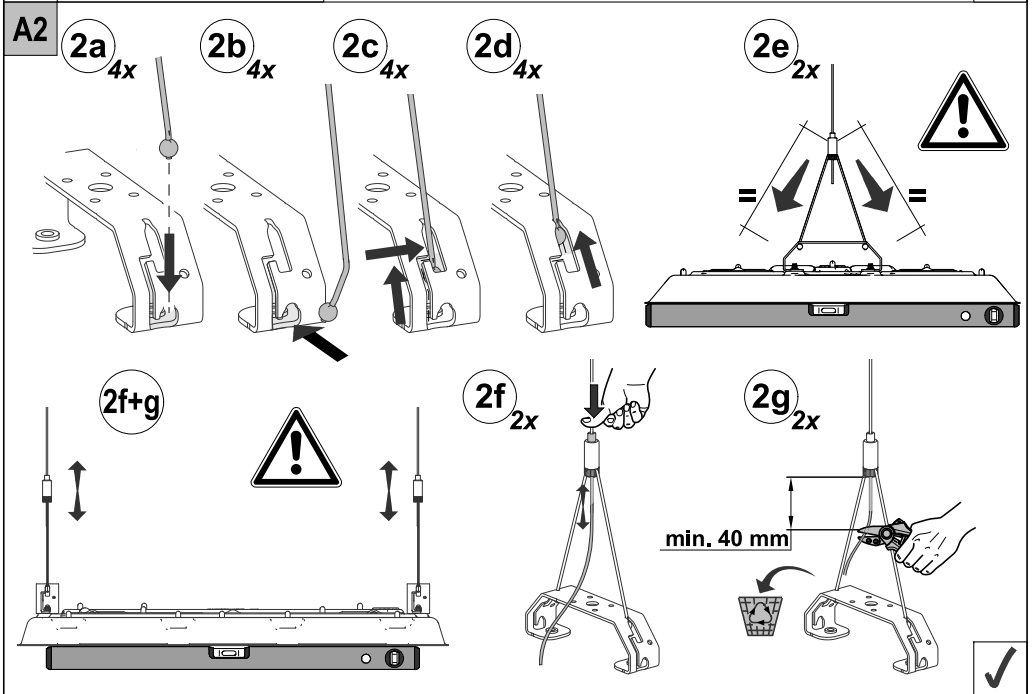
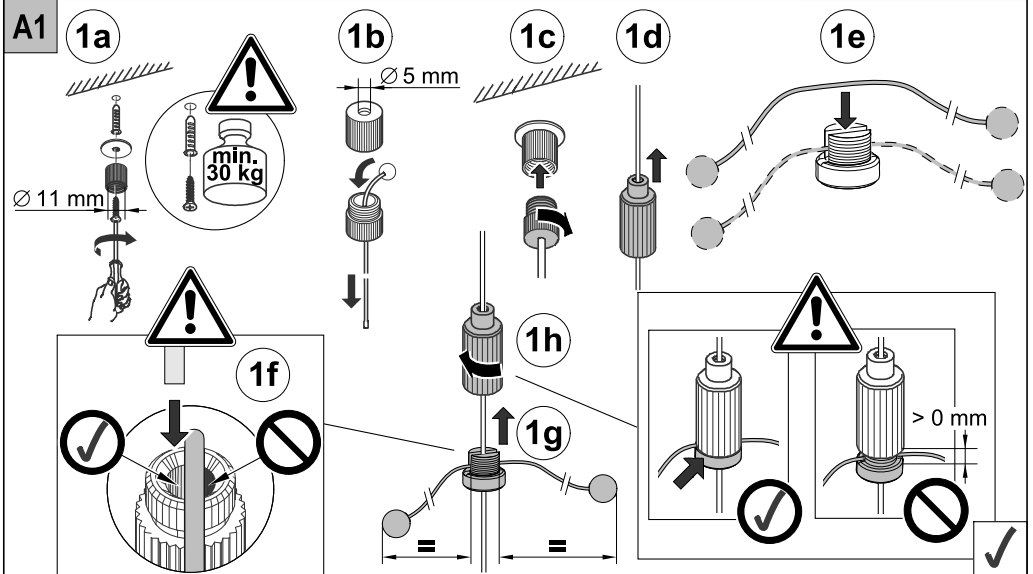
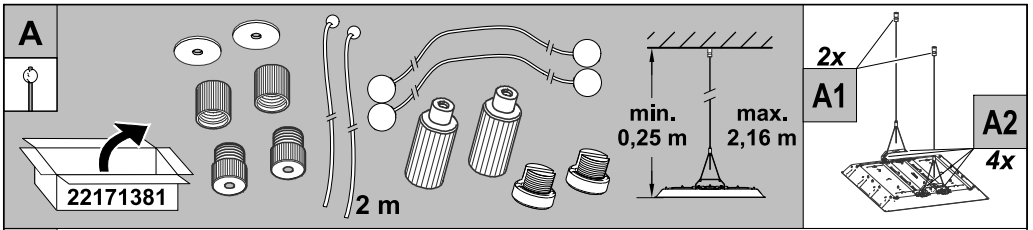
PIR Sensor

(high)

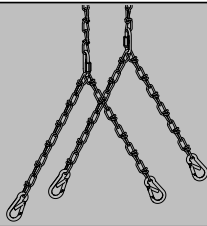
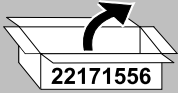
Special Versions: (sensors/bmLINK AND/OR emergency)	Length L1	Length L2	Width W	Height H	Weight kg
CRAFT II M MWS/MWCF/MWBM/E3/E3D/E3DUK	540 mm	464 mm	470 mm	116 mm	6,1 kg
CRAFT II L MWS/MWCF/MWBM/E3/E3D/E3DUK	1045 mm	970 mm	470 mm	116 mm	11,5 kg
CRAFT II M PIR	737 mm	464 mm	470 mm	128 mm	6,6 kg
CRAFT II L PIR	1243 mm	970 mm	470 mm	128 mm	11 kg



TECTON Versions (TEC / TEC-IP):	Length L1	Length L3	Width W	Height H	Weight kg
CRAFT II M TEC / TEC-IP	540 mm	773/555 mm	470 mm	140/153 mm	5,6/5,9 kg
CRAFT II L TEC / TEC-IP	1045 mm	1330/1055 mm	470 mm	140/153 mm	9,9/11,2 kg



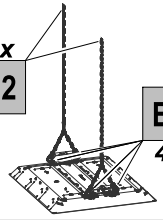
**B**



min. 0,28 m max. 1,48 m

2x

**B2**

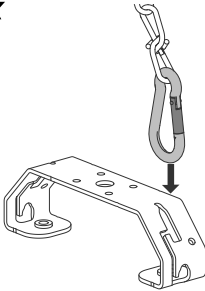


**B1**

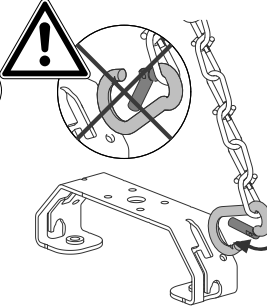
4x

**B1 4x**

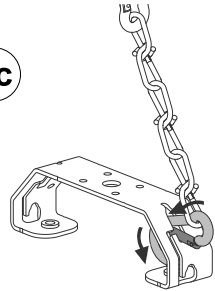
1a



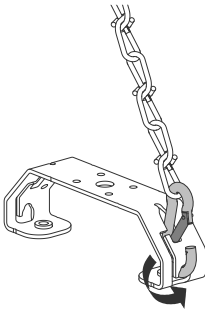
1b



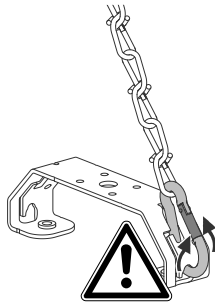
1c



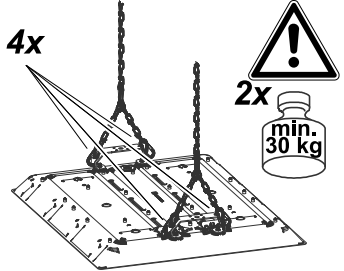
1d



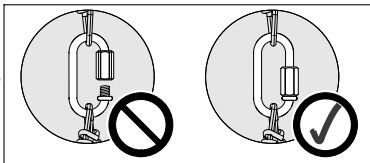
1e



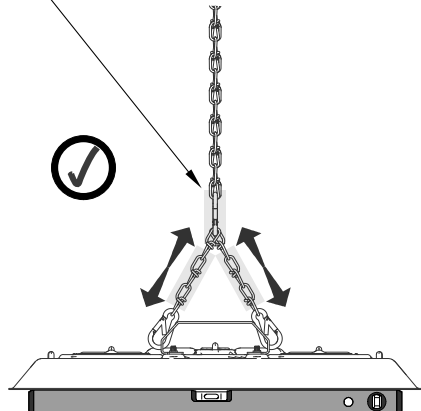
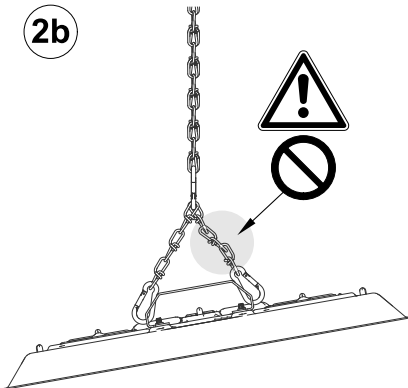
4x



**B2 2a**



2b



**C** (M) 22171557  
(L) 22171558

(M) 507 mm  
(L) 1023 mm

ZUMTOBEL

TX20 M4 x 8

28 mm  
45 mm

min. 0,26 m  
max. 2,17 m

**C1** **C2**

**C1**

! min. 60 kg

Ø 10 mm

**C2**

2a 2x  
2b 2x  
2c 2x  
2d 2x

! TX20 3 Nm

... **A2** (2a-g)

**D** (M) 22171559  
(L) 22171560

(M) 507 mm  
(L) 1023 mm

ZUMTOBEL

TX20 M4 x 8

28 mm  
45 mm

min. 0,29 m  
max. 1,49 m

**D1** **D2**

**D1**

! min. 60 kg

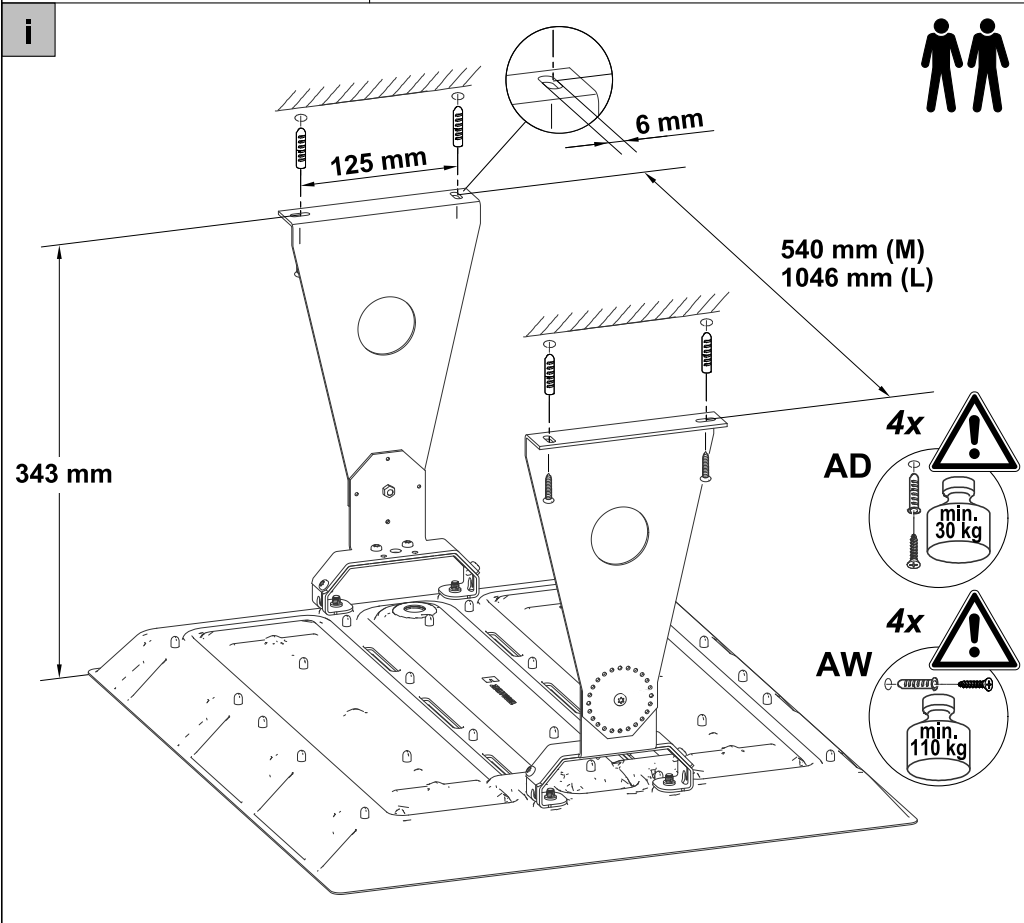
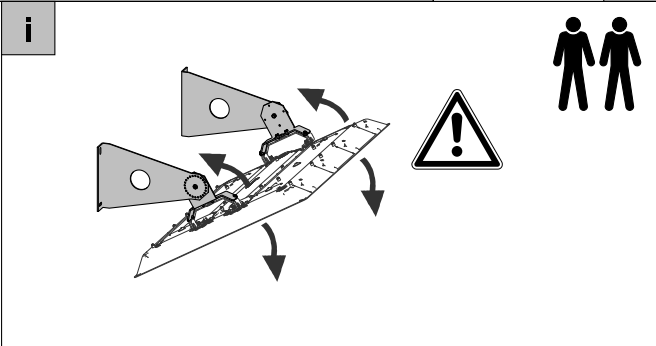
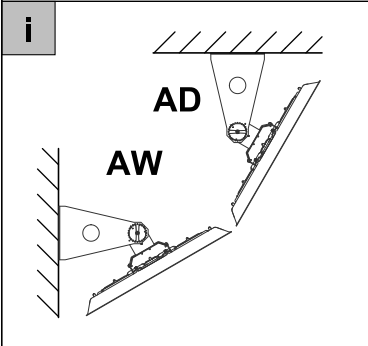
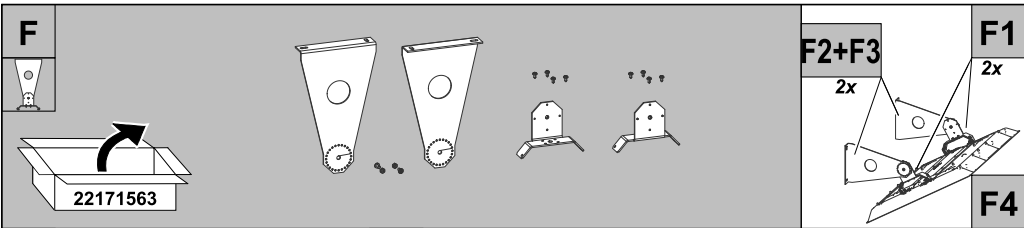
Ø 10 mm

**D2**

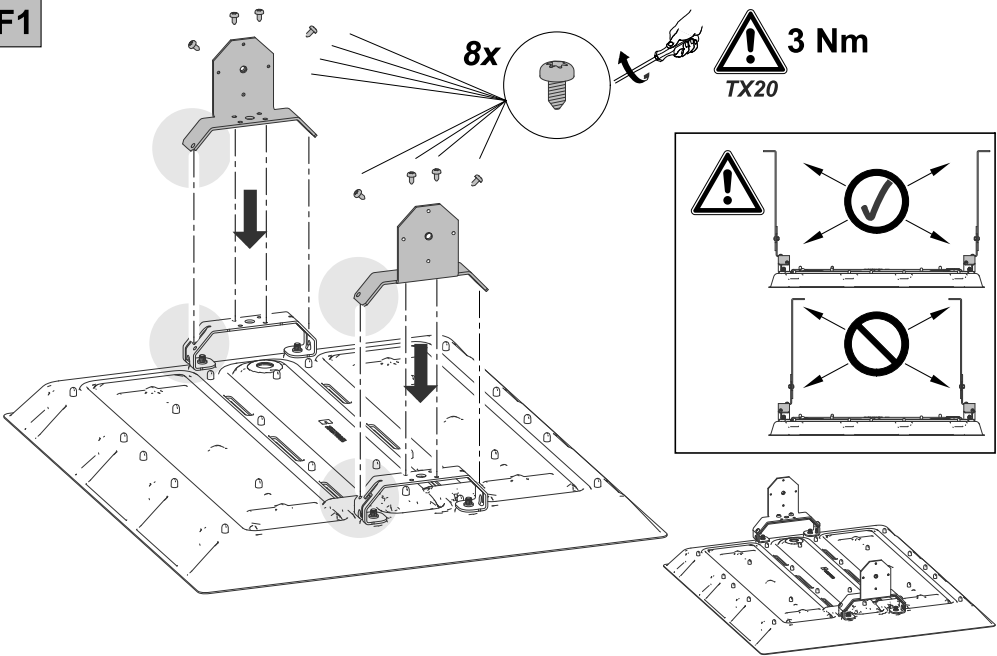
2a 2x  
2b 2x  
2c 2x  
2d 2x

! TX20 3 Nm

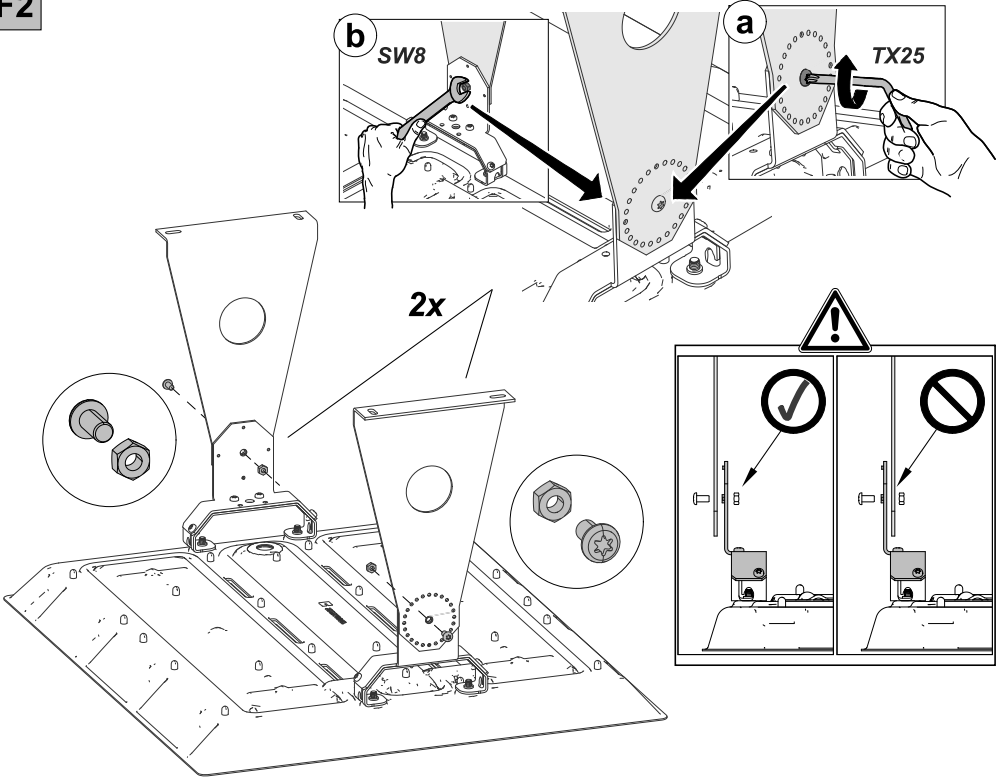
... **B1** (1a-e) + **B2** (2a+b)



F1



F2



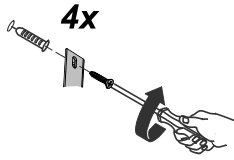
F3

a

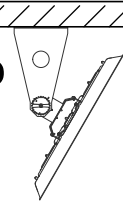
540 mm (M)  
1046 mm (L)



b



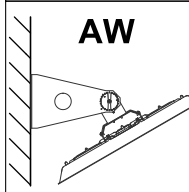
AD



4x



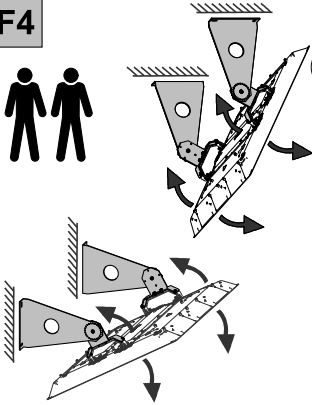
AW



4x



F4

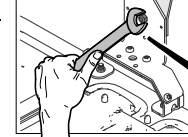


b



4 Nm

SW8

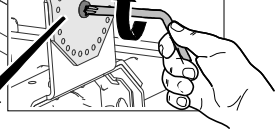


a



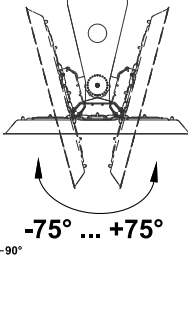
4 Nm

TX25

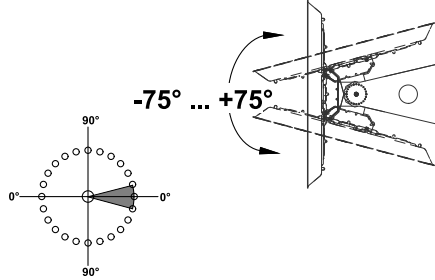


i

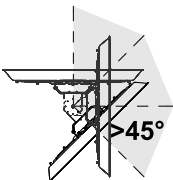
AD



AW



**!** OPTION EMERGENCY (E3x) ONLY: limited temperature  $T_a$



CR2 M10k E3x

max. 30°C

CR2 L20k E3x

max. 30°C

CR2 M13k E3x

max. 30°C

CR2 L27k E3x

max. 30°C

CR2 M17k E3x

max. 25°C

CR2 L35k E3x

max. 25°C

**G**

22171561

**G1**

**G2**

2x

2x

**G1**

2x

**a**

TX20

**b**

**c**

TX30  
4 Nm

**d**

TX25

**e**

**G2**

min. 60 kg

2x

TX25  
3 Nm

Ø max. 11 mm

✓

**H**

22171564

**H1**

**H2**

2x

2x

**H1**

2x

**a**

TX20

**b**

**c**

TX30  
4 Nm

**d**

**H2**

min. 60 kg

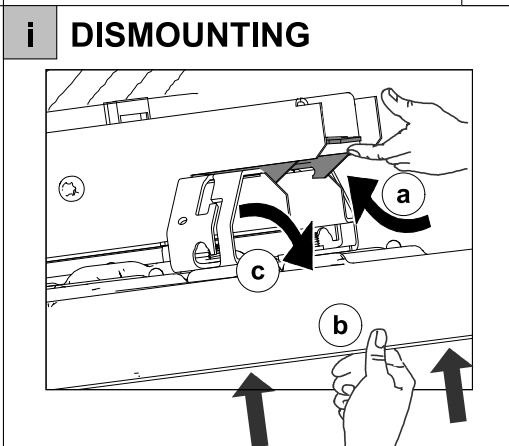
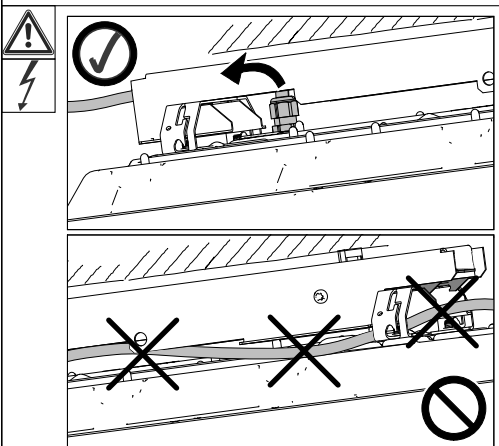
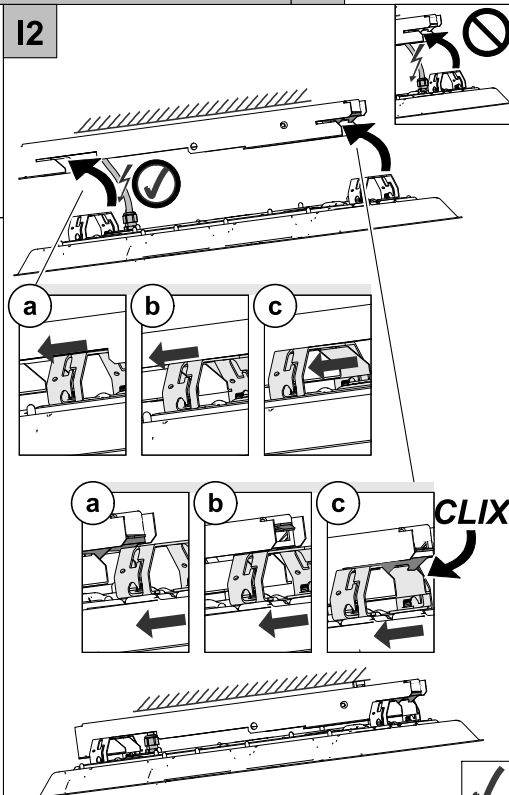
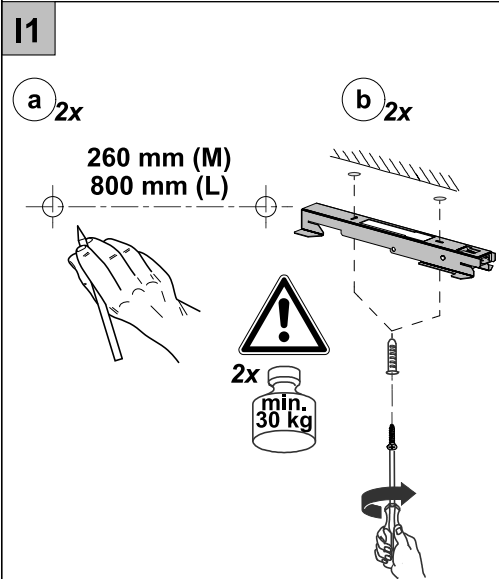
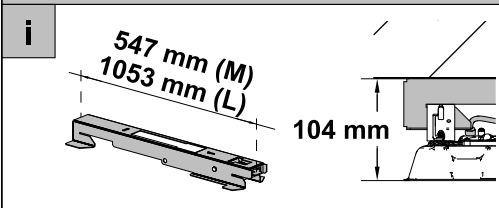
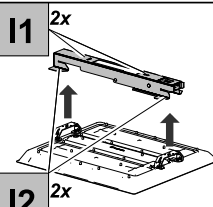
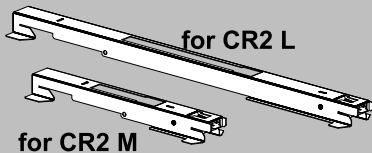
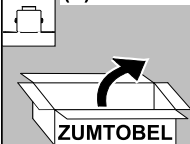
142 mm

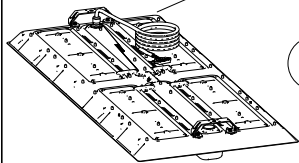
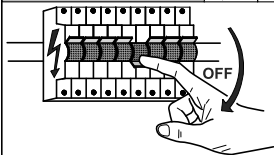
Ø 20,5 mm

464 mm (M)  
970 mm (L)

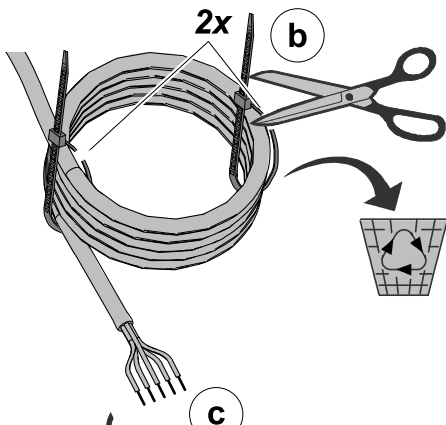
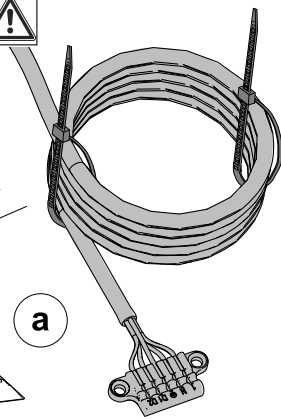
✓

**I** (M) 22171568  
(L) 22171569





a

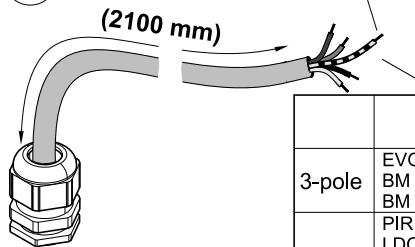


c

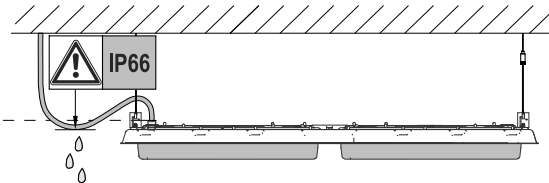
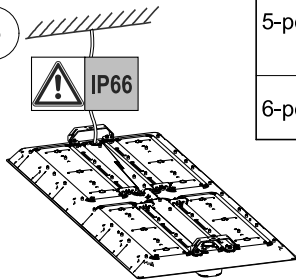


only with: 3-pole, 5-pole!

d



e



		Brown	Blue	Yellow-Green	Black	Grey	Red
3-pole	EVG BM BM E3D	L1/+ Phase 1	N Neutral	PE Earth			
5-pole	PIR LDO LDO E3 LDO E3D	L1/+ Phase 1	N Neutral	PE Earth	D1 DALI	D2 DALI	
5-pole	MWS MWCF EVG E3 MWBM MWS E3	L1/+ Phase 1	N Neutral	PE Earth	L2/L'	CUT AWAY GREY	
6-pole	EVG E3D EVG E3D-UK MWCF E3D	L1/+ Phase 1	N Neutral	PE Earth	D1 DALI	D2 DALI	L2/L'

!

DE

Anschlussklemme nicht beinhaltet, die Installation muss von einer qualifizierten Person erfolgen.

EN

Terminal Block not included, installation must be performed by a qualified person.

FR

Bornier non inclus, l'installation doit être réalisée par une personne qualifiée.

IT

Morsetti non inclusi, installazione deve essere realizzata da personale qualificato.

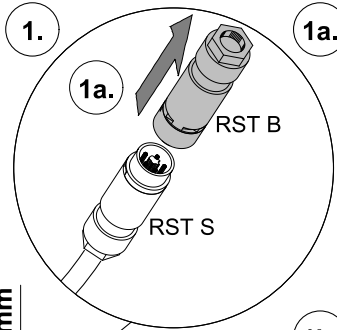
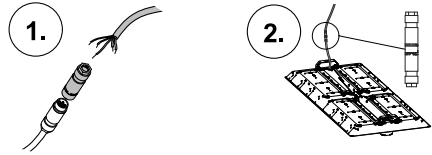
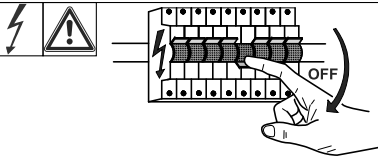
NL

De aansluitklem is niet inbegrepen, deze moet van een gekwalificeerd persoon worden geïnstalleerd.

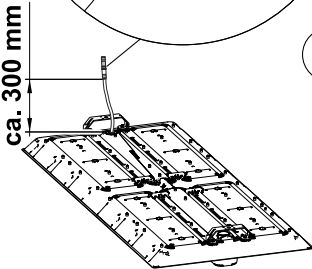
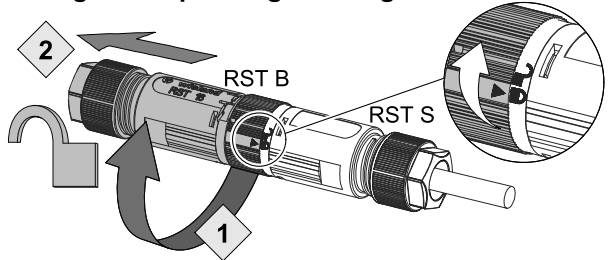
WIELAND RST16i3 connector  
3 pole, female 46.031.4553.1



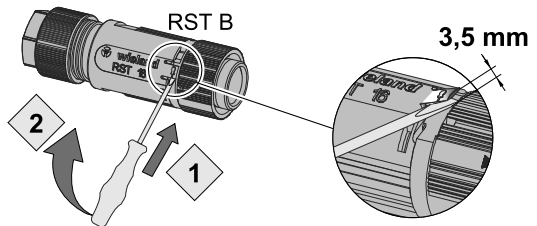
WIELAND RST16i5 connector  
5 pole, female 46.051.4553.6



**1a. Unlocking and separating / Entriegeln und Trennen**



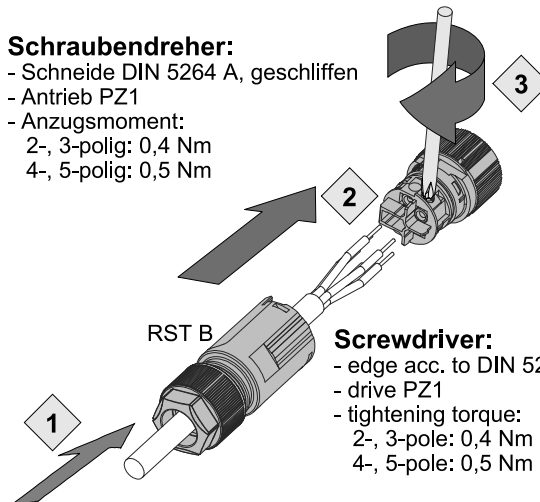
**1b. Opening the connector / Öffnen des Steckverbinders**



**1c. Wire connection / Leitermontage**

**Schraubendreher:**

- Schneide DIN 5264 A, geschliffen
- Antrieb PZ1
- Anzugsmoment:  
2-, 3-polig: 0,4 Nm  
4-, 5-polig: 0,5 Nm



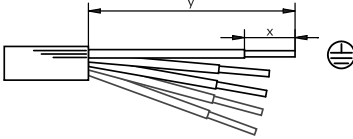
**Screwdriver:**

- edge acc. to DIN 5264 A, deburred
- drive PZ1
- tightening torque:  
2-, 3-pole: 0,4 Nm  
4-, 5-pole: 0,5 Nm

**i** Conductor information

**Dismantling and insulation strip lengths (mm) / Abmantellängen und Absolierlängen (mm)**

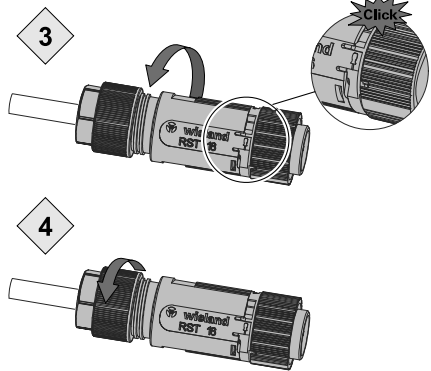
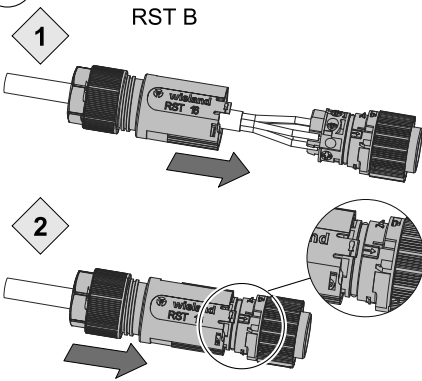
Leiter / Conductor	Einfach-Anschluss / Connector	
Abmantellänge y (mm) / Dismantling length y (mm)	PE	N, L, 1, 2, 3
Absolierlänge x (mm) / Insulation strip length x (mm)	30	25
	8	



**Connectable conductor types / Anschließbare Leiterquerschnitte**

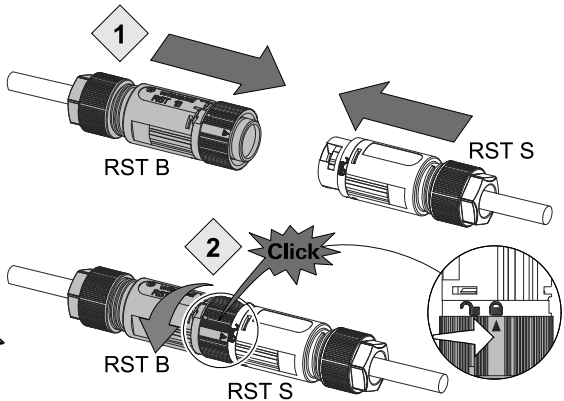
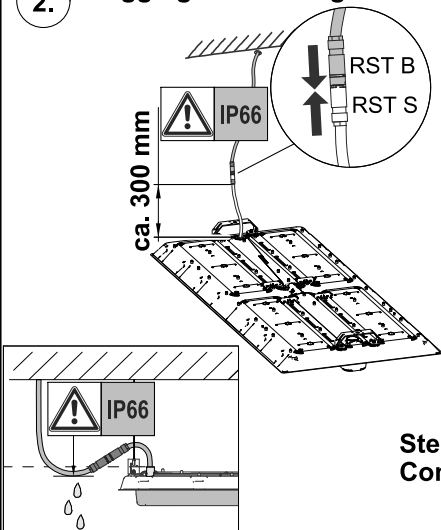
HINWEIS / NOTE		
* Die Schraubklemmenanschlüsse aller RST sind zum Anschluss von unvorherbereiteten Leitern nach EN 60999-1 geeignet.		
* RST terminals with screw clamping allow the connection of conductors without special preparation according to EN 60999-1.		
	feindrähig / fine stranded	eindrähig / solid
2-, 3-polig / 2-, 3-pole	0,25 - 1,5 mm <sup>2</sup> (bis 1,0 mm <sup>2</sup> mit Aderendhülsen verwendbar / up to 1,0 mm <sup>2</sup> usable with ferrules)	0,20 - 1,5 mm <sup>2</sup>
4-, 5-polig / 4-, 5-pole	0,25 - 2,5 mm <sup>2</sup> (bis 1,5 mm <sup>2</sup> mit Aderendhülsen verwendbar / up to 1,5 mm <sup>2</sup> usable with ferrules)	0,20 - 2,5 mm <sup>2</sup>

**1d. Closing the connector / Verschließen des Steckverbinders**



**Verschraubung:** Anzugsmoment typ. 1,5 - 2 Nm  
**Screw connection:** Tightening torque typ. 1,5 - 2 Nm

**2. Plugging and locking / Stecken und Verriegeln**



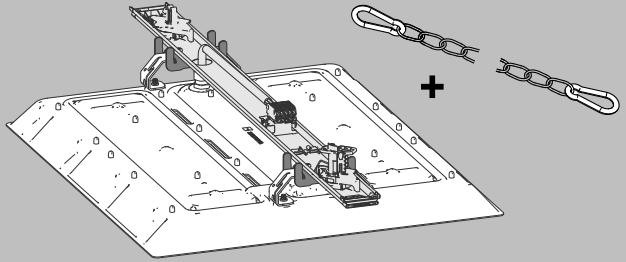
**Steckverbinder verriegelt automatisch. Connector locks automatically.**



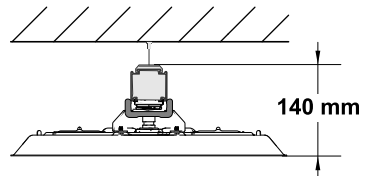
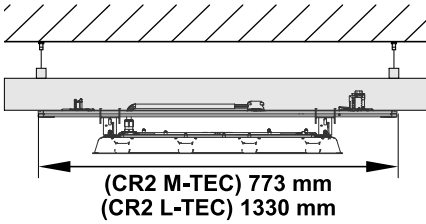
# E CRAFT II TECTON



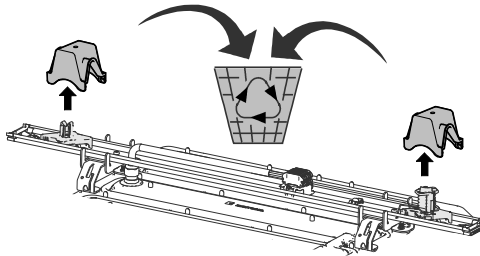
- CR2 M-TEC
- CR2 L-TEC



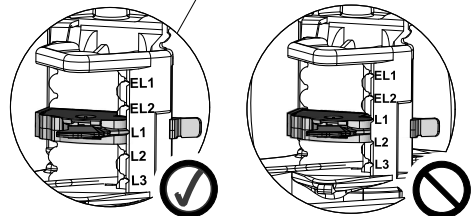
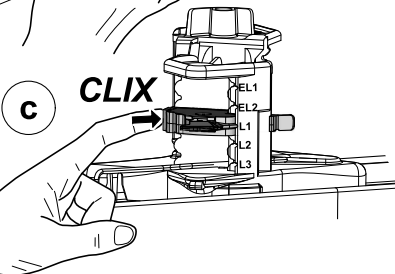
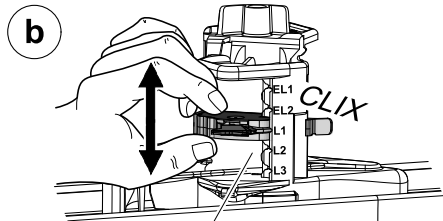
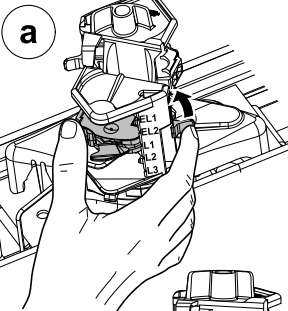
i



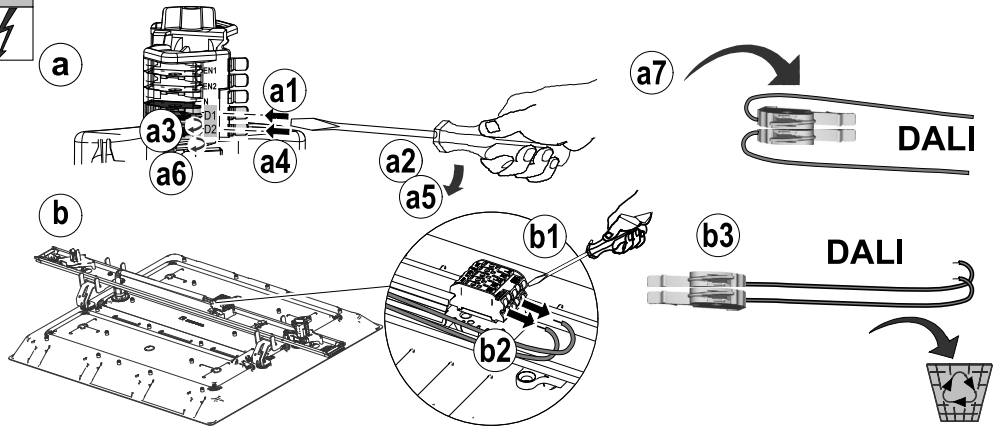
E1



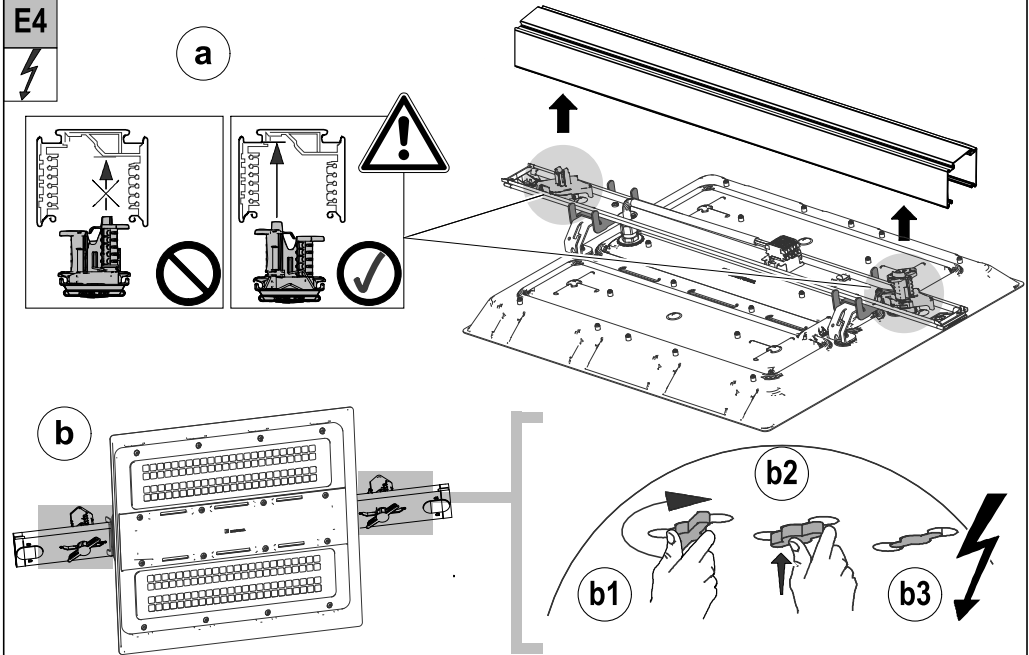
# E2 CRAFT II TECTON M-TEC, L-TEC



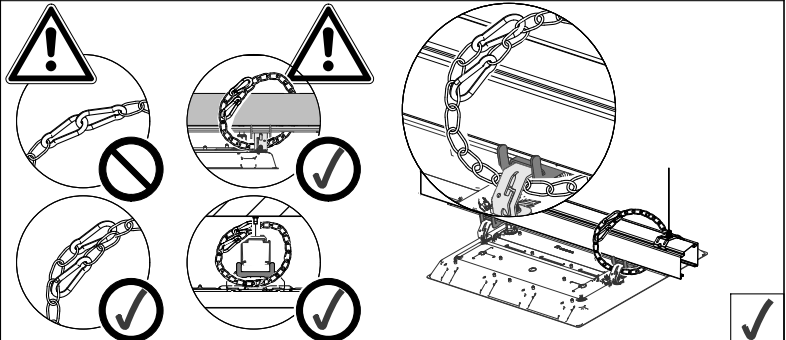
### (E3) OPTION: CRAFT II TECTON (non-DALI)



### E4



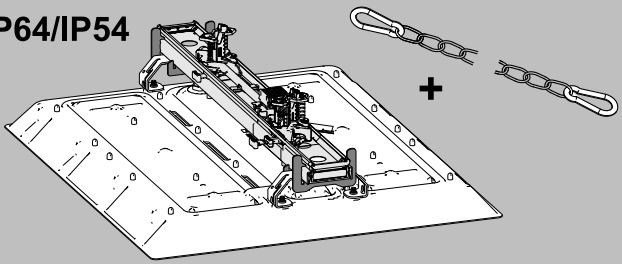
### E5



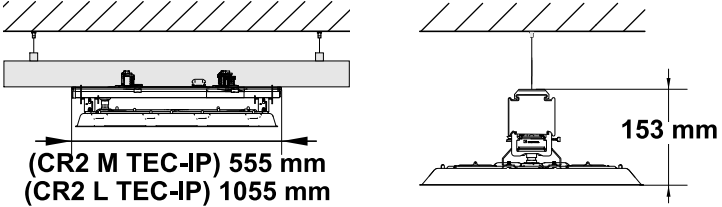
# O CRAFT II TECTON IP64/IP54



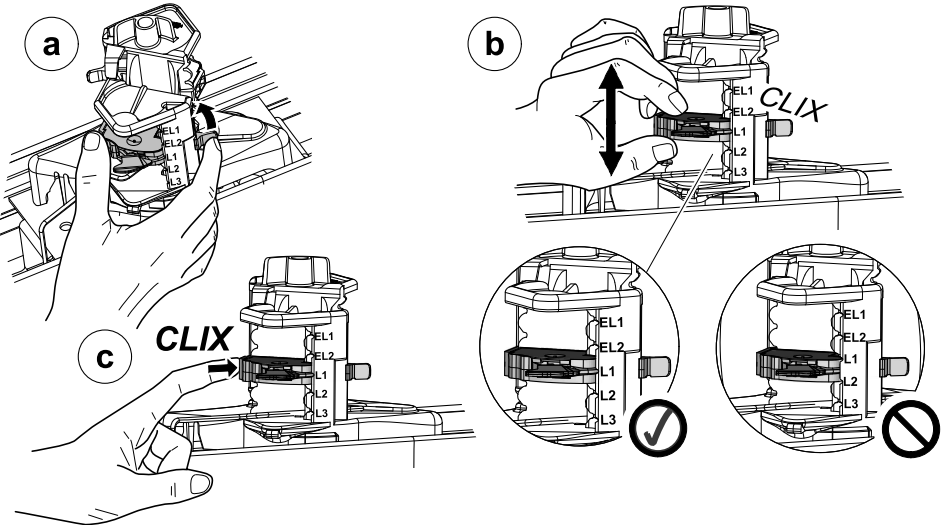
- CR2 M TEC-IP
- CR2 L TEC-IP



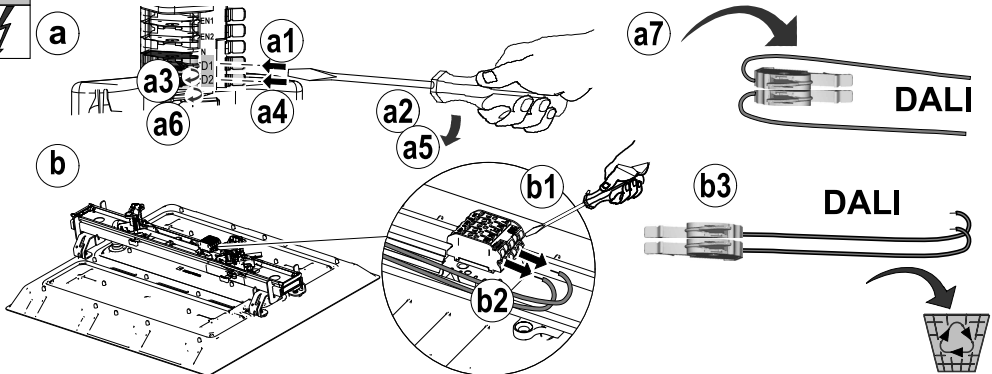
i



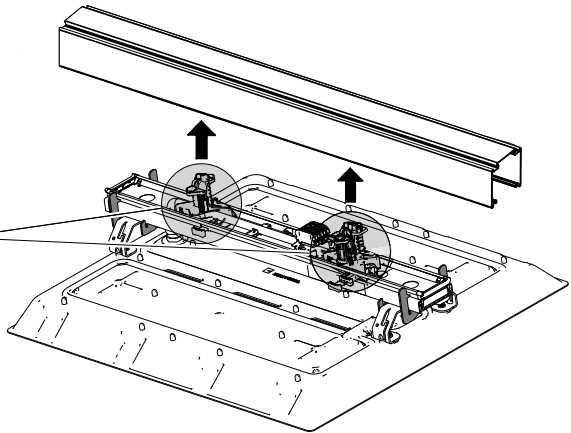
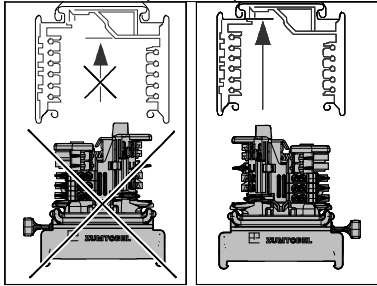
## 01 CR2 M / L TEC-IP



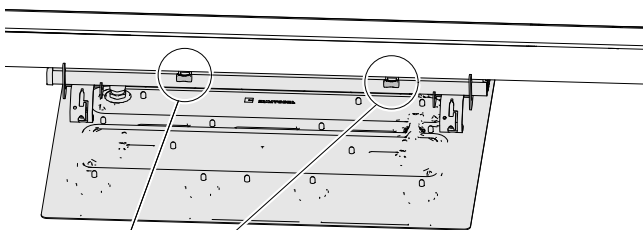
## (02) OPTION: CR2 M / L TEC-IP (non-DALI)



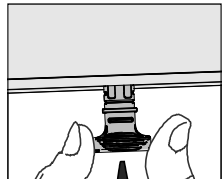
03



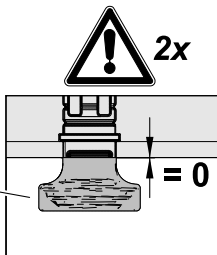
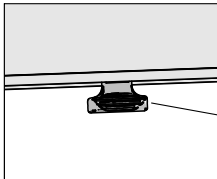
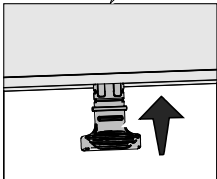
04



i

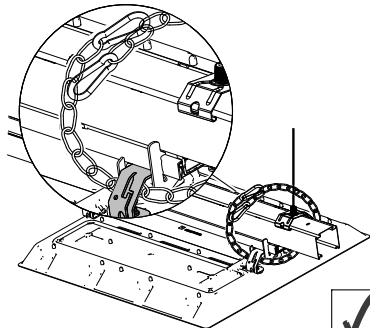
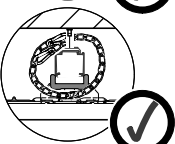
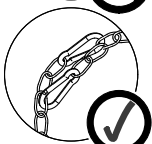
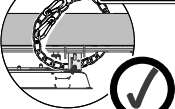
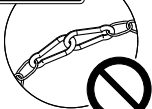
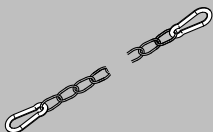


2x

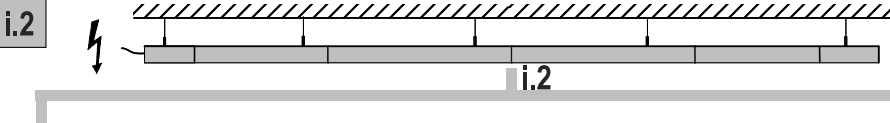
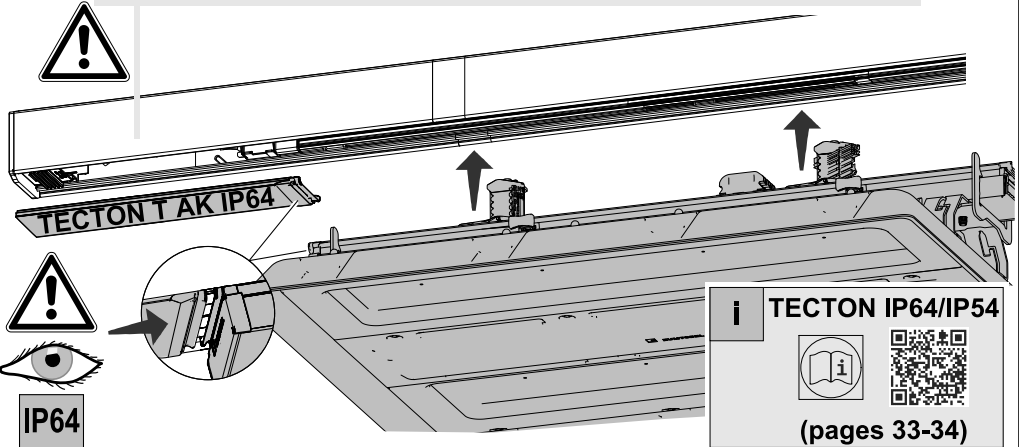
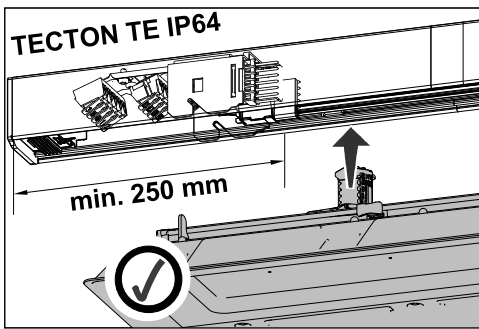
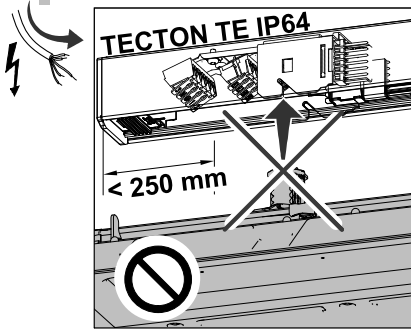
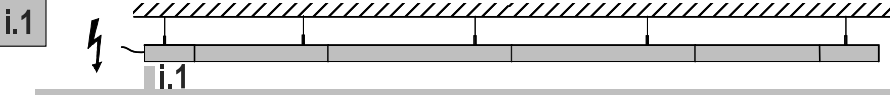


2x

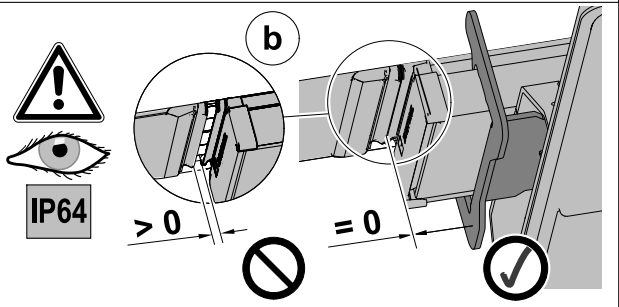
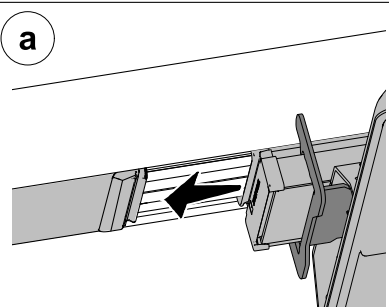
05



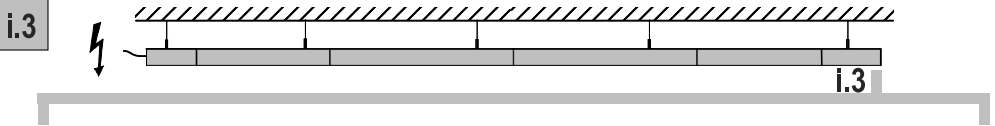
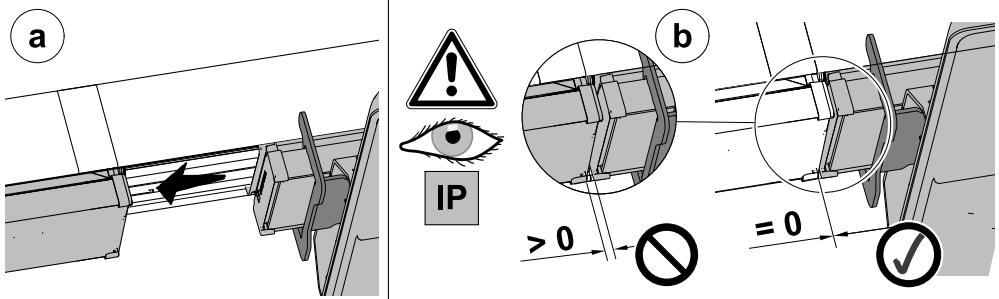
# i POSITIONING OPTIONS: CR2 M / L TEC-IP



## OPTION 1: CR2 M / L TEC-IP + TECTON T AK IP64

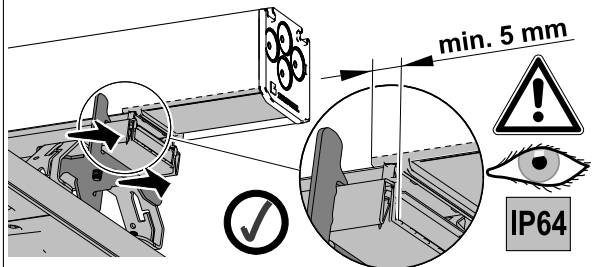
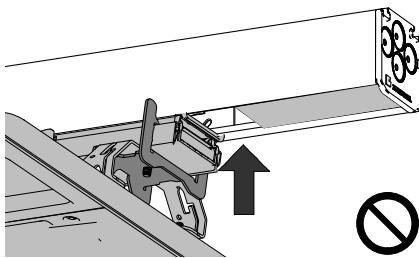


## OPTION 2: CR2 M / L TEC-IP + TECTON GP profile



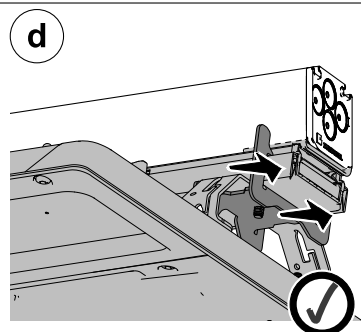
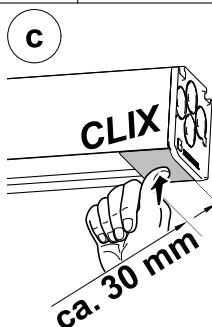
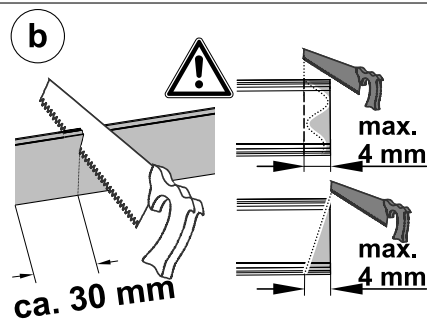
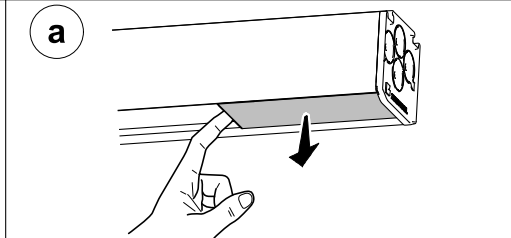
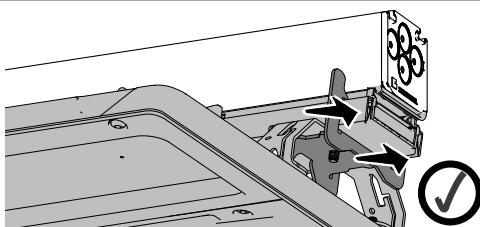
### ! CR2 M / L TEC-IP

### OPTION 1: CR2 M / L TEC-IP



### OPTION 2: CR2 M TEC-IP ONLY

### OPTION 3: CR2 L TEC-IP ONLY



(ABCD FGHIK4)

OPTION SENSOR: PIR  
(TRIDONIC MSensor G3 PIR 16DPI 28002234)

### Adjustment of detection area / Anpassung Erfassungsbereich



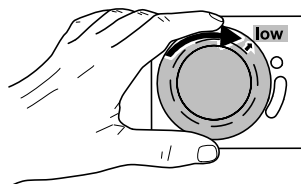
IP20

IK03

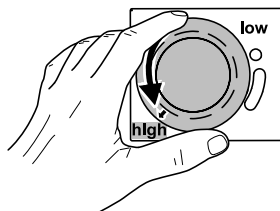


temperature range:  
-20 ... +50 °C

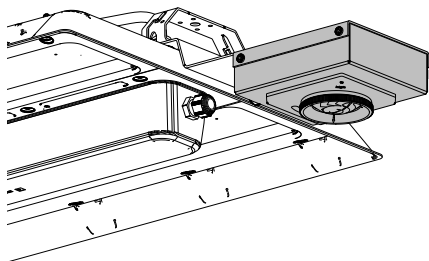
a (Zoom)



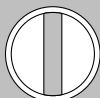
8-12 m low



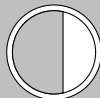
12-16 m high



### Shaders / Abschatter



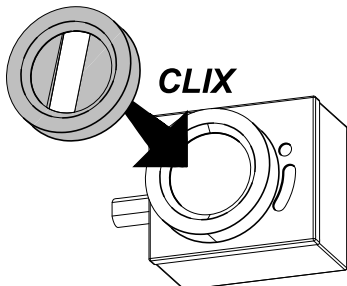
28001658



28001660

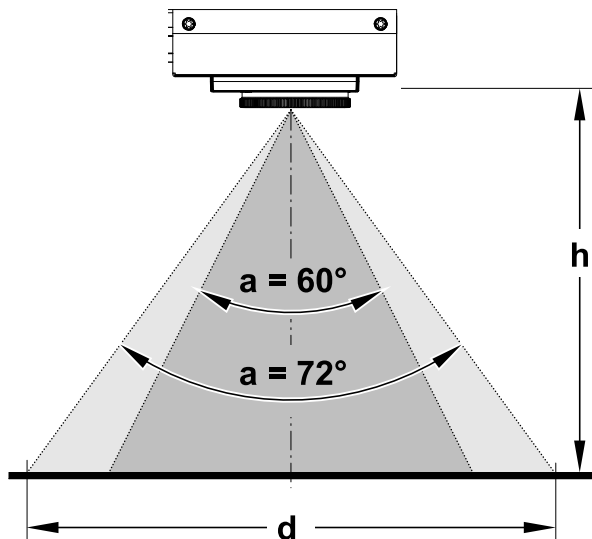


28001659



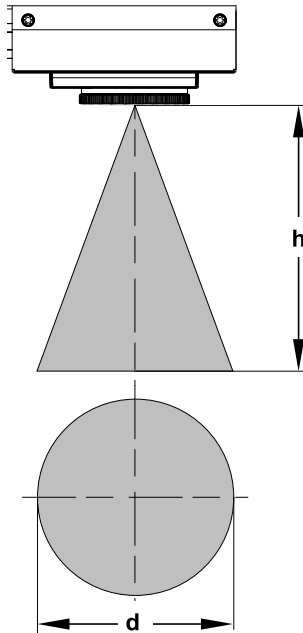
CLIX

### i Detection area / Erfassungsbereich



h (m)	a (Zoom)	d (m)
8,00	low = $72^\circ$	12,00
9,00	low = $72^\circ$	13,50
10,00	low = $72^\circ$	15,00
11,00	low = $72^\circ$	16,50
12,00	low = $72^\circ$	18,00
12,00	high = $60^\circ$	14,00
13,00	high = $60^\circ$	15,20
14,00	high = $60^\circ$	16,40
15,00	high = $60^\circ$	17,60
16,00	high = $60^\circ$	18,80

## i Light measurement / Lichtmessung



h (m)	d (m)
8,00	1,80
12,00	2,70
16,00	3,70

## i Compatibility list / Kompatibilitätsliste

TRIDONIC  
Application  
controllers:



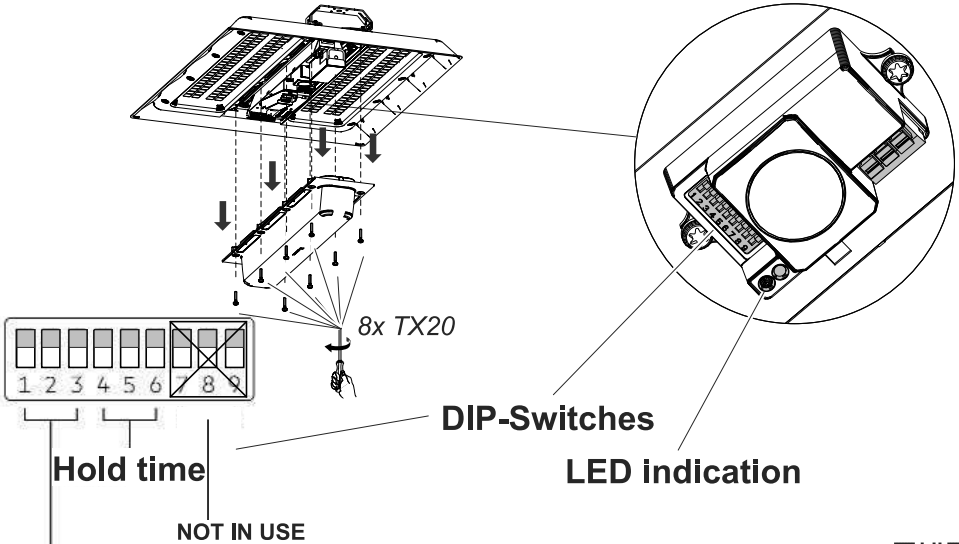
Manufacturer / Hersteller	Product name / Produktname
ZUMTOBEL	LITECOM DALI-2 / DIMLITE pro / bmLINK
TRIDONIC	basicDIM wireless / sceneCOM S / sceneCOM evo DA2 / basicDIM ILD G2



Chemische Beständigkeit beachten. Nur kunststoffverträgliche Reinigungsmittel verwenden.  
Note: Due to problems with chemical resistance, choose cleaning materials which are suitable for plastic.  
Respectez la résistance chimique du matériel; n'utilisez que des détergents compatibles avec les matières synthétiques.  
Rispettare la resistenza chimica del materiale; utilizzare solo detersivi compatibili con materiali plastici.  
Rekening houden met chemische weerstand. Gelevez enkel reinigingsmiddelen te gebruiken die kunststofvriendelijk zijn.

(ABCD FGHK4)

OPTION SENSORS: MWS + MWCF  
(TRIDONIC smartSWITCH 28003498)



Sensitivity

NOT IN USE



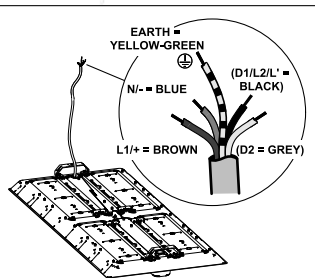
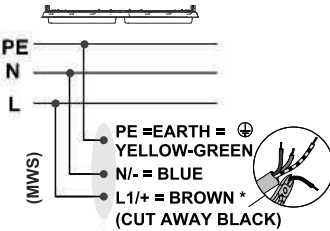
[www.tridonic.com/28003498](http://www.tridonic.com/28003498)



07/20-C0127-1 Subject to change without notice. Information provided without guarantee.  
Tridonic GmbH & Co KG, [www.tridonic.com](http://www.tridonic.com), [info@tridonic.com](mailto:info@tridonic.com), Tel. +43 5572 395-0

## i Wiring Diagrams (MWS, MWCF)

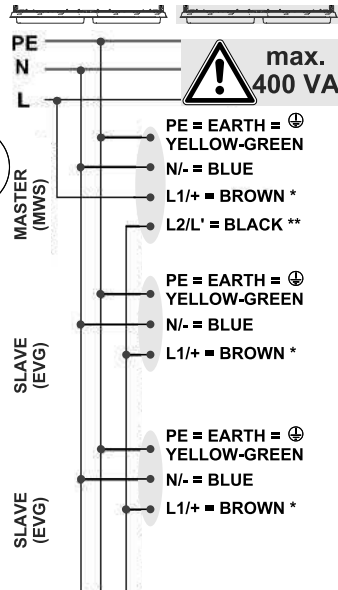
### ON/OFF (MWS) Stand-alone



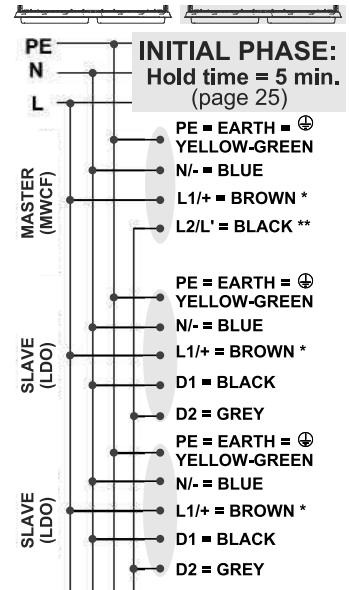
\*L1 = L .. permanent line

\*\*L2 = L' .. switched line

### ON/OFF (MWS) Master-Slave



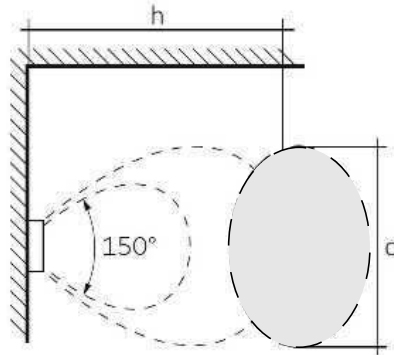
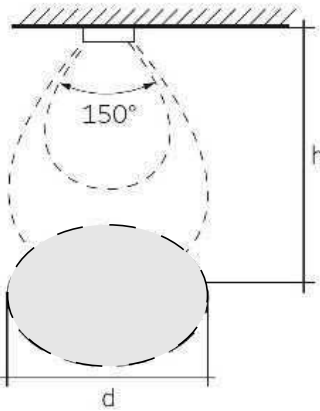
### Corridor Function (MWCF) Master-Slave



**i** Motion detection area

**Ceiling mounted**

**Wall mounted**



**Sensitivity**

h	Sensitivity	
	100 %	75 %
5 m	12 m	9 m
6 m	12 m	8 m
7 m	12 m	6 m
8 m	12 m	5 m
9 m	12 m	4 m
10 m	12 m	3 m
11 m	10 m	2 m
12 m	10 m	1 m



**Values may differ significantly!**

Reflected HF waves (e.g. of walls, floors, ceilings or furniture) from other transmitters affect motion detection.



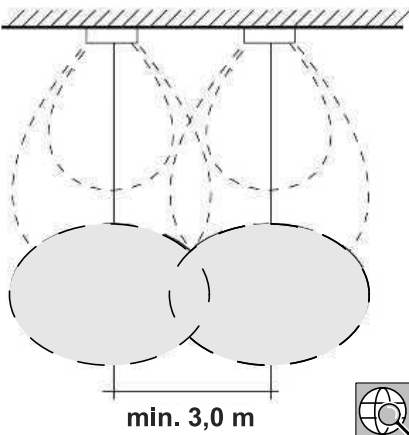
[www.tridonic.com/28003498](http://www.tridonic.com/28003498)



**i**

	1	2	3	Sensitivity		MWBM	MWCF
I	●	●	●	100 % (default)	●	✓	✓
II	○	●	●	75 %	■	✓	✓
III	○	●	○	50 %	□	✓	✓
IV	○	○	●	30 %	○	✓	✓
V	○	○	○	10 %	○	✓	✓
	4	5	6	Hold time			
I	●	●	●	5 s (default)	●	✓	✓
II	●	○	●	30 s	■	-	✓
III	●	○	○	1 min	□	-	✓
IV	○	●	●	5 min	○	-	✓
V	○	●	○	10 min	○	-	✓
VI	○	○	●	20 min	○	-	✓
VII	○	○	○	30 min	○	-	✓

### i Distance between luminaires



### Trouble Shooting Guide

(Problem => possible Reasons => Actions)

#### Fitting does not switch off

1. Continuous movements within detection area => Check area
2. Fitting is vibrating => Check surface and mounting

#### Fitting switches on without clear movements

1. Fitting is vibrating => Check surface and mounting
2. Non visible movements (behind a wall) => Check area

#### Fitting does not switch on despite clear movements

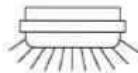
1. Detection area is too small => Check mounting instructions
2. Sensitivity is set too low => Extend sensitivity on sensor



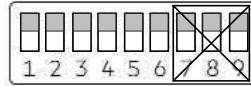
[www.tridonic.com/28003498](http://www.tridonic.com/28003498)



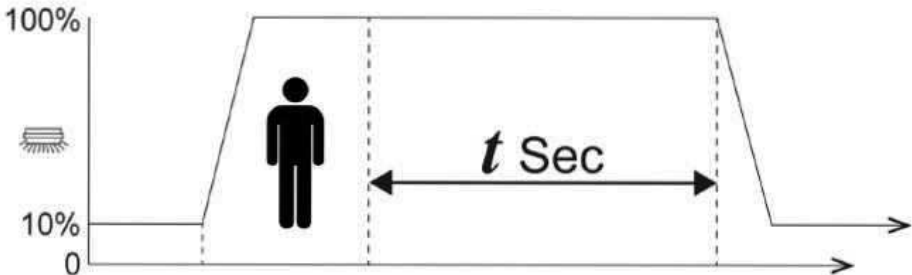
### i Corridor Function (MWCF, MWRF)



100% → 10%



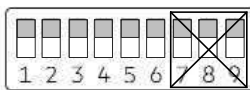
Hold time  
(page 27)



### i MWBM: bmLINK + MWCF Sensor DALI via Bluetooth Mesh

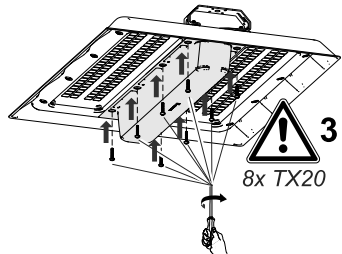


[www.zumtobel.com/bmLINK](http://www.zumtobel.com/bmLINK)



Hold time must be set to  
minimum setting: I = 5 sec.  
(page 27)

### i

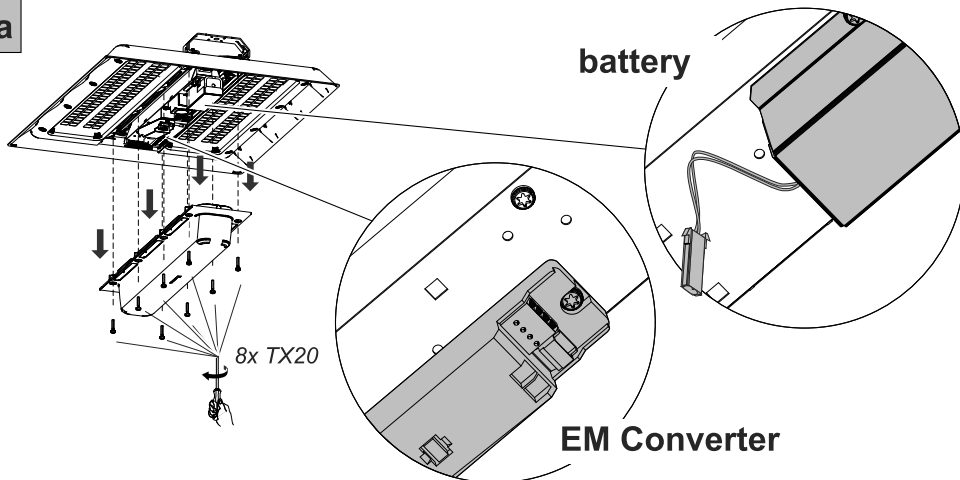


(ABCD FGHIK5) OPTION EMERGENCY: self-contained (battery)

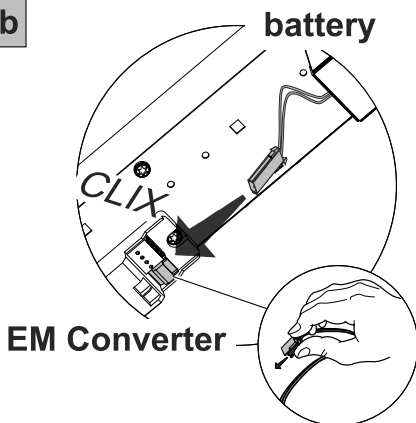
**i** E3, E3D, E3DUK, MWS E3, MWCF E3D, BM E3D



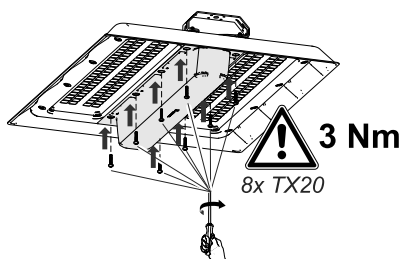
5a



5b

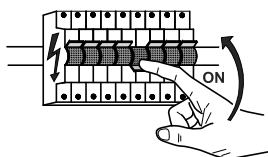
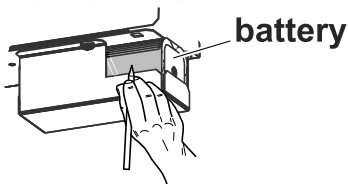


5d




5c

Commissioned Date:  
Inbetriebnahmedatum:

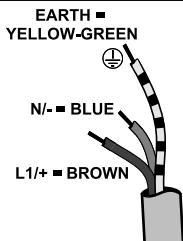


i

		Brown	Blue	Yellow-Green	Black	Grey	Red
3-pole	BM E3D	L1/+ Phase 1	N Neutral	PE Earth			
5-pole	LDO E3 LDO E3D	L1/+ Phase 1	N Neutral	PE Earth	D1 DALI	D2 DALI	
5-pole	EVG E3 MWS E3	L1/+ Phase 1	N Neutral	PE Earth	L2/L'		
6-pole	EVG E3D EVG E3D-UK MWCF E3D	L1/+ Phase 1	N Neutral	PE Earth	D1 DALI	D2 DALI	L2/L'

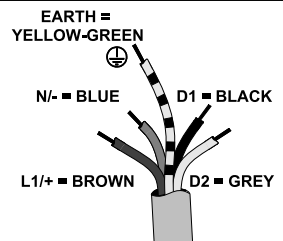
i

**BM E3D**



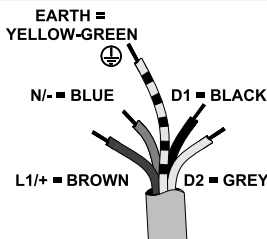
i

**LDO E3**



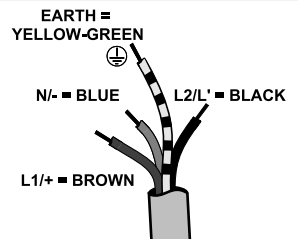
i

**LDO E3D**



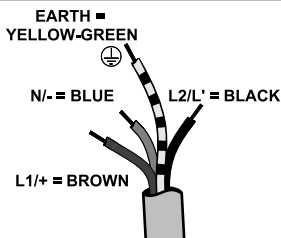
i

**EVG E3**



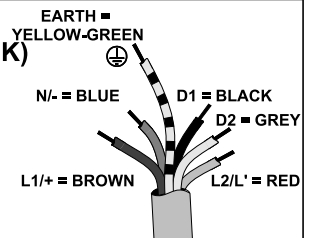
i

**MWS E3**



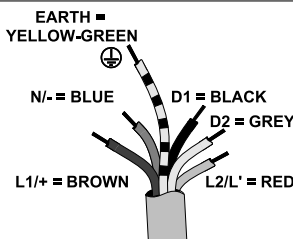
i

**EVG E3D (EVG E3D-UK)**



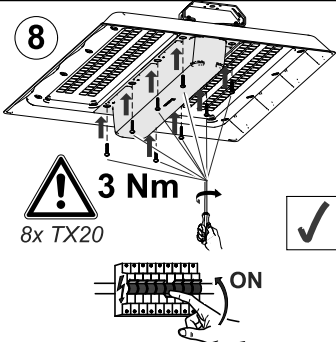
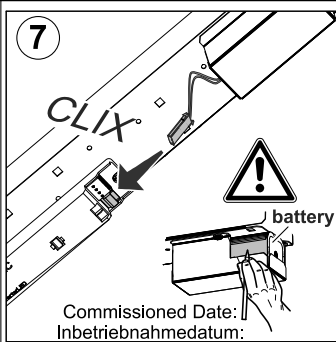
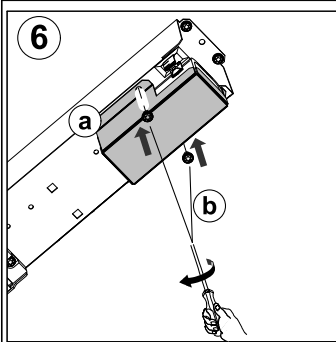
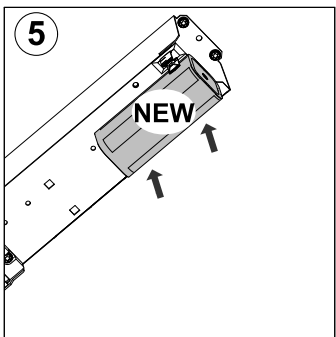
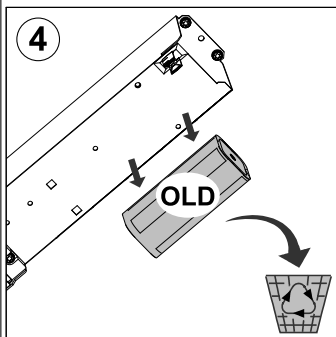
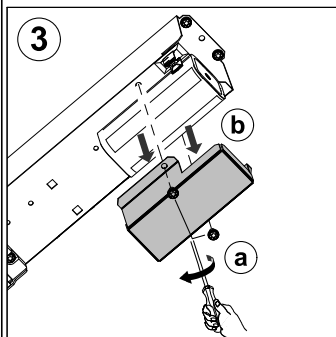
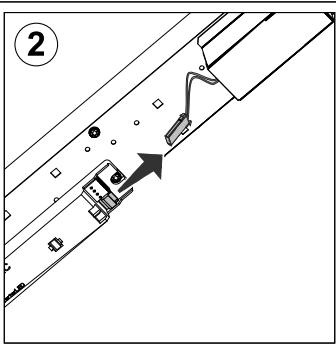
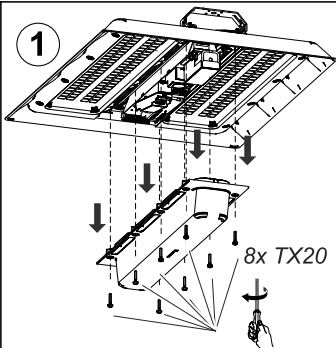
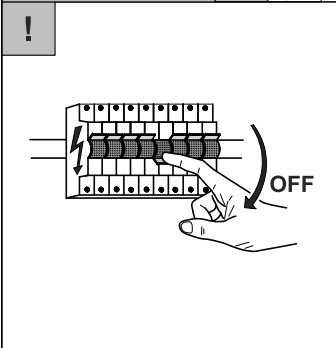
i

**MWCF E3D**





# Change battery

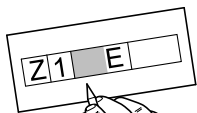


## OPTION EMERGENCY: centrally supplied

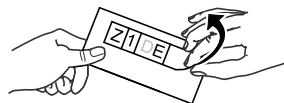
1



2 OPTION!



3



(acc. IEC/EN 60598-2-22)



## **(DE) Hinweise für die Montage und den Betrieb!**

Die Montage und Inbetriebnahme der Leuchte sowie jede Veränderung an der Leuchte darf nur von autorisierten Fachkräften (qualifizierter Elektriker) durchgeführt werden. Die nationalen Errichterbestimmungen sind zu beachten. Vor jeder Arbeit an der Leuchte ist diese vom Netz zu trennen. **Hot Plug-in ist nicht möglich und kann zu Schäden an der Leuchte führen!** Der Hersteller haftet nicht für Schäden, die aus fehlerhafter Montage, aus unsachgemäßem Betrieb oder unautorisierten Veränderungen an der Leuchte resultieren. Die Lichtquelle dieser Leuchte darf nur vom



Hersteller oder einem von ihm beauftragten Servicetechniker oder einer vergleichbar qualifizierten Person ausgetauscht werden. **Vorsicht, Gefahr eines elektrischen Schlags!**

Technische Änderungen vorbehalten! Bei Fragen wenden sie sich an den Hersteller.

## **(EN) Instructions for installation and operation!**

The installation and commissioning of the luminaire as well as any modification to the luminaire may only be performed by authorized personnel (qualified electrician). National installation regulations must be observed. Before any work on the appliance is done, it must be disconnected from mains. **Hot plug-in is not an option and may cause damage to the lamp or luminaire!** The manufacturer is not liable for damages resulting from improper or faulty installation or operation or from unauthorized modifications to the luminaire. The light source contained in this luminaire shall only be replaced by the manufacturer or his service agent or a similarly qualified person.



**Caution, risk of electric shock!**

Specifications are subject to change without notice! If you have questions, please contact the manufacturer.

## **(FR) Instructions pour l'installation et l'utilisation!**

L'installation et la mise en service du luminaire ainsi que toute modification au luminaire doivent être effectuées par un personnel autorisé (électricien qualifié). Les règles nationales d'installation doivent être respectées. Avant toute intervention sur l'appareil, il doit être débranché de son alimentation. **Le branchement à chaud est interdit, et peut endommager à la lampe ou le luminaire!** Le fabricant décline toute responsabilité pour les dommages résultant d'une mauvaise installation ou opération, ou d'une modification non autorisée du luminaire. La source lumineuse présente dans le luminaire ne peut être remplacée que par le fabricant, par son service technique ou une personne qualifiée. **Avertissement, risque de choc électrique.**



Sous réserve de modifications des spécifications techniques! Pour toute question, contactez le fabricant.

## **(IT) Istruzioni per l'installazione e il funzionamento!**

L'installazione e la messa in servizio degli apparecchi, nonché qualsiasi modifica dell'apparecchio può essere eseguita solo da personale autorizzato (elettricista qualificato). Le norme nazionali di installazione devono essere rispettate. Prima di qualsiasi intervento sull'apparecchio, questo deve essere scollegato dalla rete. **Non è possibile un Hot Plug In e può causare danni alla lampada o all'apparecchio!** Il produttore non si assume alcuna responsabilità per i danni derivanti da un'installazione impropria o difettosa, o per modifiche non autorizzate apportate all'apparecchio. La sorgente



luminosa contenuta in questo apparecchio può essere sostituita solo dal produttore o da un centro assistenza autorizzato o da una persona qualificata. **Attenzione, rischio di folgorazione!** Modifiche tecniche sono soggette a cambiamenti senza preavviso! Se avete domande, si prega di contattare il produttore.

## **(NL) Aanwijzingen voor installatie en bediening!**

De installatie en inbedrijfstelling van het armatuur, alsook elke wijziging in of aan het armatuur mogen alleen door bevoegd personeel (elektricien) worden uitgevoerd. De nationale installatie voorschriften moeten worden nageleefd. Voor alle werkzaamheden aan het apparaat, moet deze worden losgekoppeld van het net. **Hot plug-in is niet mogelijk en kan schade aan de lichtbron of het verlichtingstoestel veroorzaken!** De fabrikant is niet aansprakelijk voor schade als gevolg van onjuiste of foutieve installatie, bediening of schade welke het gevolg zijn van niet geautoriseerde wijzigingen aan het armatuur. De lichtbron in dit armatuur mag enkel door de fabrikant, een service agent of een gelijkwaardig gekwalificeerd persoon vervangen worden. **WAARSCHUWING: Gevaar voor elektrische schokken.** Technische wijzigingen voorbehouden! Als u vragen hebt, kunt u contact opnemen met de fabrikant.



## **i Info on (non-) replaceability:**

