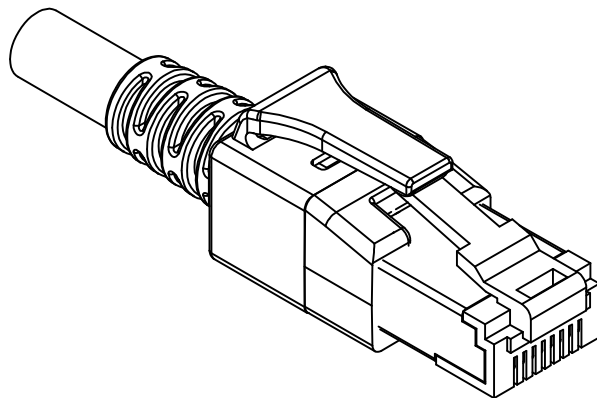


Technical Datasheet

EasyLan[®] Patch Cord DualBoot[®] LED Cat.6_A ISO/IEC

Article No. : see on page 3



				drawn	21.04.2017	LP	 EasyLan[®] ...for a better connectivity
				appr.	21.04.2017	MJ	
				Titel: EasyLan[®] Patch Cord DualBoot[®] LED Cat.6_A ISO/IEC			Dimensions: mm
				Drawing Number: ZN-CU171050			Original: DIN A4
g	Aenderung	11.02.2026	MW				Sheet 1 of 3
f	Aenderung	02.11.2021	MW				
e	Aenderung	22.07.2020	LP				
d	Aenderung	22.08.2019	LP				
c	Aenderung	11.06.2019	LP				
b	Biegeradius hinzugefügt	21.04.2017	LP				
a	Neuerstellung	21.04.2017	LP				
Index	Revision Code	Date	Name	ZN-CU171050			

Technical Data

General Data	
Connection	1:1
Colors	white, black, gray, red, yellow, green, blue, turquoise, violet, orange
Identification possibility	Colorclips (Order No.: CSZC11BOX)
Cable Characteristics	
Cable type	S/FTP
Number twisting elements	4P+1
Twisting elements	Pair
Configuration	LSHF (LSOH) acc. EN50290-2-27
Braid	AWG26/7
Category	Cat. 6 _A ISO/IEC
Shielding	shielded
Connector Characteristics	
Housing material	Polycarbonate
Pin plating	Au (Gold)
Environmental Conditions	
Temperature range during operation	-25°C to + 60°C
Temperature range during installation	0°C to + 50°C
Approvals	
RoHS	conform
Standards	
General requests	ISO/IEC 11801 Ed.2.2: 2011-06 DIN EN 50173-1: 2011-09 TIA/EIA 568-C.2 IEC 60332-1
Plug	DIN EN 60603-7
Transmission Characteristics	
Category (ISO)	6 _A
Category (TIA)	6 _A
Remote powering	yes
PoE	IEEE 802.3af
PoE +	IEEE 802.3at
PoE ++	IEEE 802.3bt
UPoE	yes
HDBaseT	yes
Bit rate up to 10 GBit	IEEE 802.3an

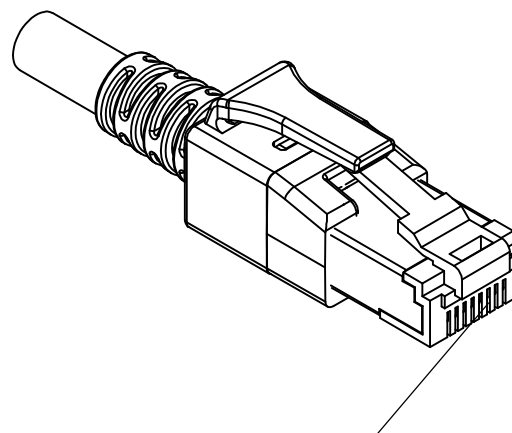
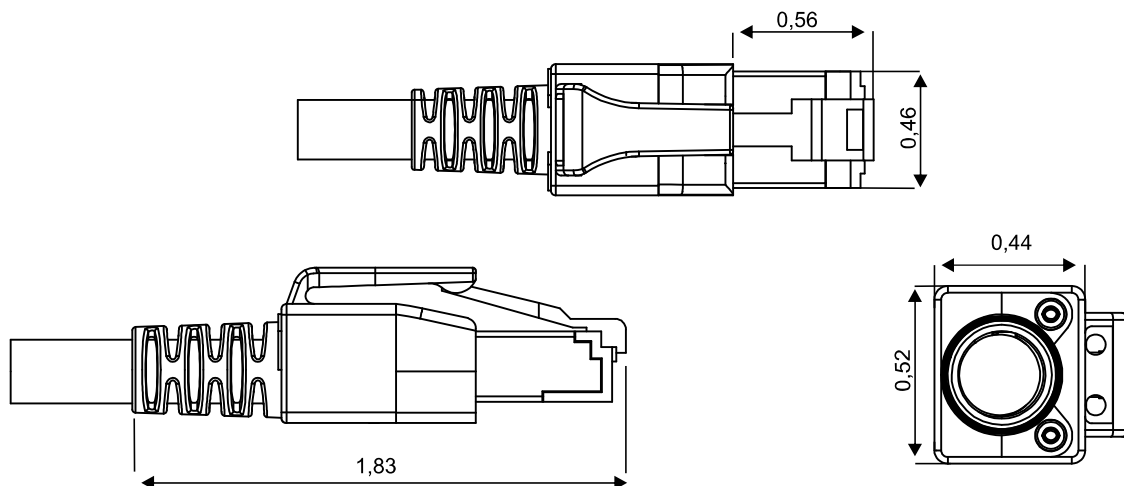
All rights reserved ZVK GmbH D-94244 Teisnach Technologiecampus 2 Germany Phone: +49 9923 804379-0 Fax: +49 9923 804379-50 www.zvk-gmbh.de all data without guarantee

g f e d c b a	Änderung	11.02.2026	MW	drawn	21.04.2017	LP	 EasyLan [®] ...for a better connectivity	
	Änderung	02.11.2021	MW	appr.	21.04.2017	MJ		
	Änderung	22.07.2020	LP	Titel:				
	Änderung	22.08.2019	LP	EasyLan[®] Patch Cord DualBoot[®] LED				
	Änderung	11.06.2019	LP	Cat.6_A ISO/IEC				
Biegeradius hinzugefügt	21.04.2017	LP	Drawing Number:					
Neuerstellung	21.04.2017	LP	ZN-CU171050				Dimensions: mm	
Index	Revision Code	Date	Name	Original: DIN A4				
							Sheet 2 of 3	

Technical Data

Electrical Characteristics	
Loop resistance	290 Ω/km
Insulation resistance	≥5000 MΩ*km
Characteristic impedance	100 ± 3Ω
Propagation delay	10ns / 100m
Packaging Unit	0,1 m - ≤5,0 m = 5 pcs >5,0 m = 1 pc

Drawing



Dimensions RJ45 according to IEC 60603-7

Color	Order No.
white	CS1OWADAD0000*
black	CS1OSADAD0000*
gray	CS1OAADAD0000*
red	CS1ORADAD0000*
yellow	CS1OYADAD0000*
green	CS1OGADAD0000*
blue	CS1OBADAD0000*
turquoise	CS1OTADAD0000*
violet	CS1OVADAD0000*
orange	CS1OOADAD0000*

*Length in dm
e.g. 0010 = 1 m

g Änderung 11.02.2026 MW f Änderung 02.11.2021 MW e Änderung 22.07.2020 LP d Änderung 22.08.2019 LP c Änderung 11.06.2019 LP b Biegeradius hinzugefügt 21.04.2017 LP a Neuerstellung 21.04.2017 LP	drawn	21.04.2017	LP		
	appr.	21.04.2017	MJ		
	Titel: EasyLan® Patch Cord DualBoot® LED Cat.6_A ISO/IEC				Dimensions: mm
	Drawing Number: ZN-CU171050				Original: DIN A4
Index	Revision Code	Date	Name	Sheet 3 of 3	