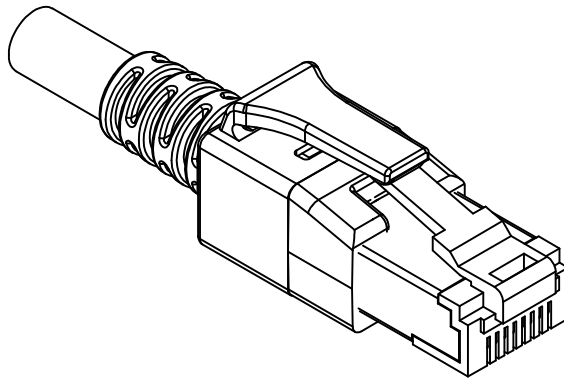



Technical Datasheet

EasyLan[®] Patch Cord DualBoot[®] LED Cat.6 ISO/IEC

Article No. : see on page 3




| | | | | | | | | |
|-----------------------|---|--|----------------------------|--|---------------|------|--|------------------|
| e d c b a | Änderung Änderung Änderung Änderung Neuerstellung | 12.02.2026 11.11.2021 22.07.2020 22.08.2019 25.09.2018 | MW MW LP LP LP | drawn | 25.09.2018 | LP |  EasyLan[®] ...for a better connectivity | |
| | | | | appr. | 25.09.2018 | MJ | | |
| | | | | Titel: EasyLan[®] Patch Cord DualBoot[®] LED Cat.6 ISO/IEC | | | | Dimensions: mm |
| | | | | Drawing Number: | | | | Original: DIN A4 |
| | | | | Index | Revision Code | Date | | Name |

Technical Data

| | |
|---------------------------------------|--|
| General Data | |
| Connection | 1:1 |
| Colors | white, black, gray, red, yellow, green, blue, turquoise, violet, orange |
| Identification possibility | Colorclips (Order No.: CSZC11BOX) |
| Cable Characteristics | |
| Cable type | S/FTP |
| Number twisting elements | 4P+1 |
| Twisting elements | Pair |
| Configuration | LSHF (LSOH) acc. EN50290-2-27 |
| Braid | AWG26/7 |
| Category | Cat. 6 ISO/IEC |
| Shielding | shielded |
| Connector Characteristics | |
| Housing material | Polycarbonate |
| Pin plating | Au (Gold) |
| Environmental Conditions | |
| Temperature range during operation | -25°C to + 60°C |
| Temperature range during installation | 0°C to + 50°C |
| Approvals | |
| RoHS | conform |
| Standards | |
| General requests | ISO/IEC 11801 Ed.2.2: 2011-06 DIN EN 50173-1: 2011-09 TIA/EIA 568-C.2 IEC 60332-1 |
| Plug | DIN EN 60603-7 |
| Transmission Characteristics | |
| Category (ISO) | 6 |
| Category (TIA) | 6 |
| Remote powering | yes |
| PoE | IEEE 802.3af |
| PoE + | IEEE 802.3at |
| PoE ++ | IEEE 802.3bt |
| UPoE | yes |
| HDBaseT | yes |
| Bit rate up to 10 GBit | IEEE 802.3an |

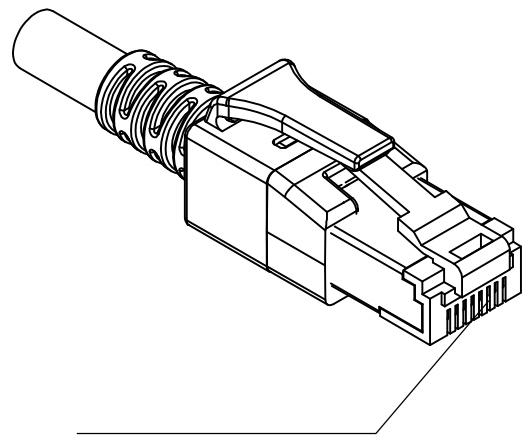
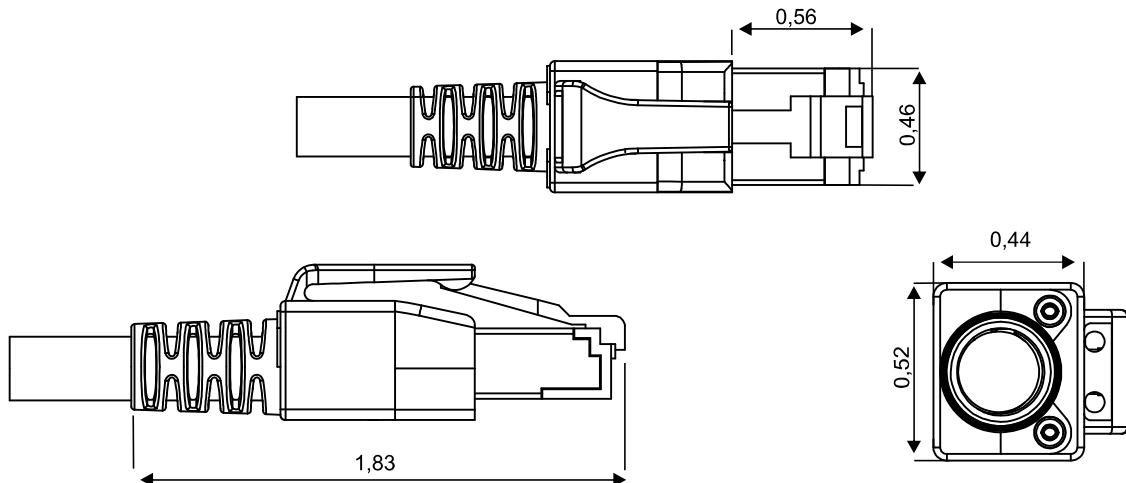
All rights reserved ZVK GmbH D-94244 Teisnach Technologiecampus 2 Germany Phone: +49 9923 804379-0 Fax: +49 9923 804379-50 www.zvk-gmbh.de all data without guarantee

| | | | | | | | | |
|-----------------------|---------------------------|--------------------------|----------|--|------------|----|---|--|
| e d c b a | Anderung | 12.02.2026 | MW | drawn | 25.09.2018 | LP |  EasyLan [®] ...for a better connectivity | |
| | Anderung | 11.11.2021 | MW | appr. | 25.09.2018 | MJ | | |
| | Anderung | 22.07.2020 | LP | Titel: EasyLan [®] Patch Cord DualBoot [®] LED Cat.6 ISO/IEC | | | | |
| | Anderung Neuerstellung | 22.08.2019 25.09.2018 | LP LP | Drawing Number: ZN-CU181490 | | | | |
| Index | Revision Code | Date | Name | | | | Dimensions: mm Original: DIN A4 Sheet 2 of 3 | |

Technical Data

| | |
|-----------------------------------|---|
| Electrical Characteristics | |
| Loop resistance | 290 Ω/km |
| Insulation resistance | ≥5000 MΩ*km |
| Characteristic impedance | 100 ± 3Ω |
| Propagation delay | 10ns / 100m |
| Packaging Unit | 0,1 m - ≤5,0 m = 5 pcs >5,0 m = 1 pc |


Drawing



Dimensions RJ45
according to IEC 60603-7

| Color | Bestellcode / Order Code |
|-----------|--------------------------|
| white | CS1OWCDCD0000* |
| black | CS1OSCDCD0000* |
| gray | CS1OACDCD0000* |
| red | CS1ORCDCD0000* |
| yellow | CS1OYCDCD0000* |
| green | CS1OGCDCD0000* |
| blue | CS1OBCDCD0000* |
| turquoise | CS1OTCDCD0000* |
| violet | CS1OVCDCD0000* |
| orange | CS1OOCDCD0000* |

*Längenangabe in dm / Length in dm
e.g. 0010 = 1 m

| | | | | | | |
|-----------------------|---|--|----------------------------|---|------------|----|
| e d c b a | Änderung Änderung Änderung Änderung Neuerstellung | 12.02.2026 11.11.2021 22.07.2020 22.08.2019 25.09.2018 | MW MW LP LP LP | drawn | 25.09.2018 | LP |
| | | | | appr. | 25.09.2018 | MJ |
| | | | | Titel: EasyLan® Patch Cord DualBoot® LED Cat.6 ISO/IEC | | |
| | | | | Drawing Number: ZN-CU181490 | | |
| Index | Revision Code | Date | Name |  EasyLan® ...for a better connectivity | | |
| | | | | Dimensions: mm | | |
| | | | | Original: DIN A4 | | |
| | | | | Sheet 3 of 3 | | |