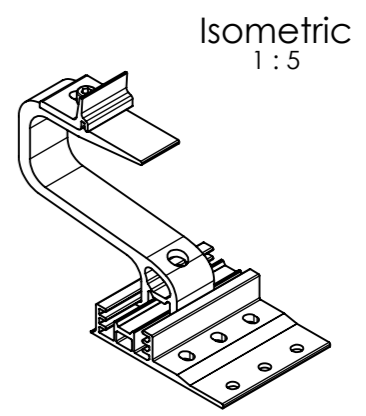
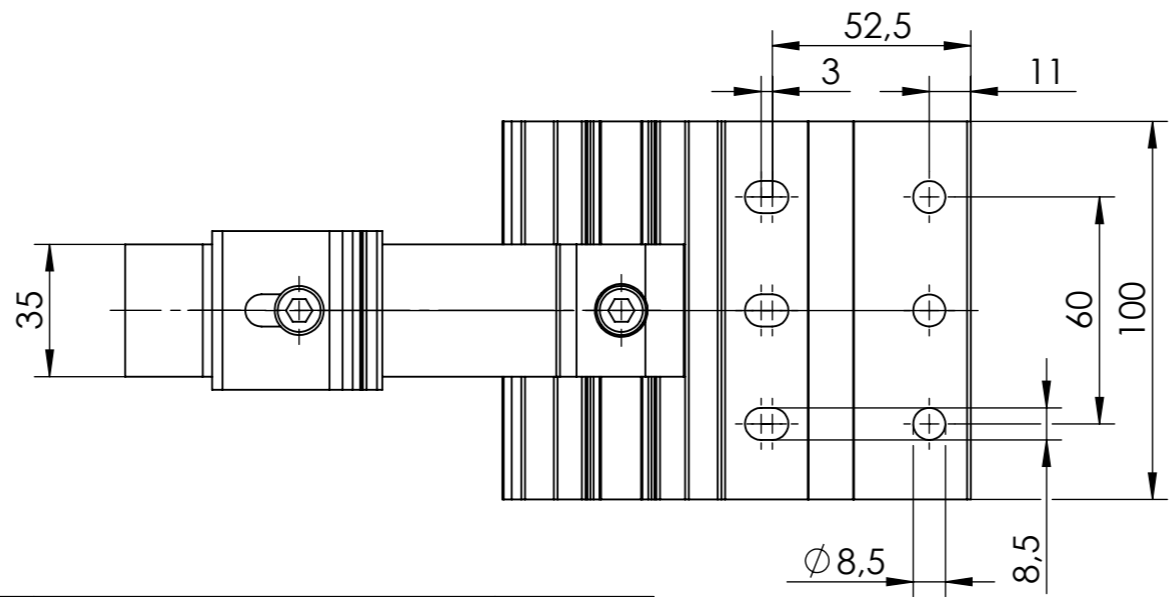
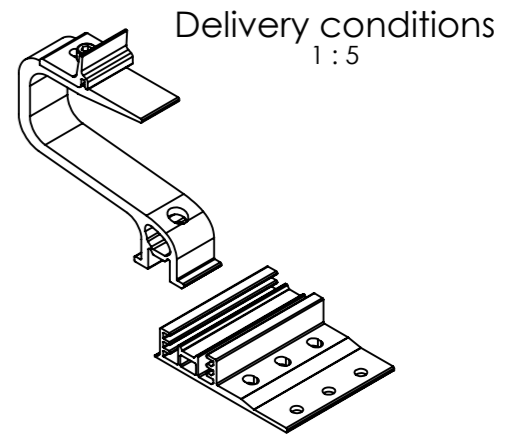
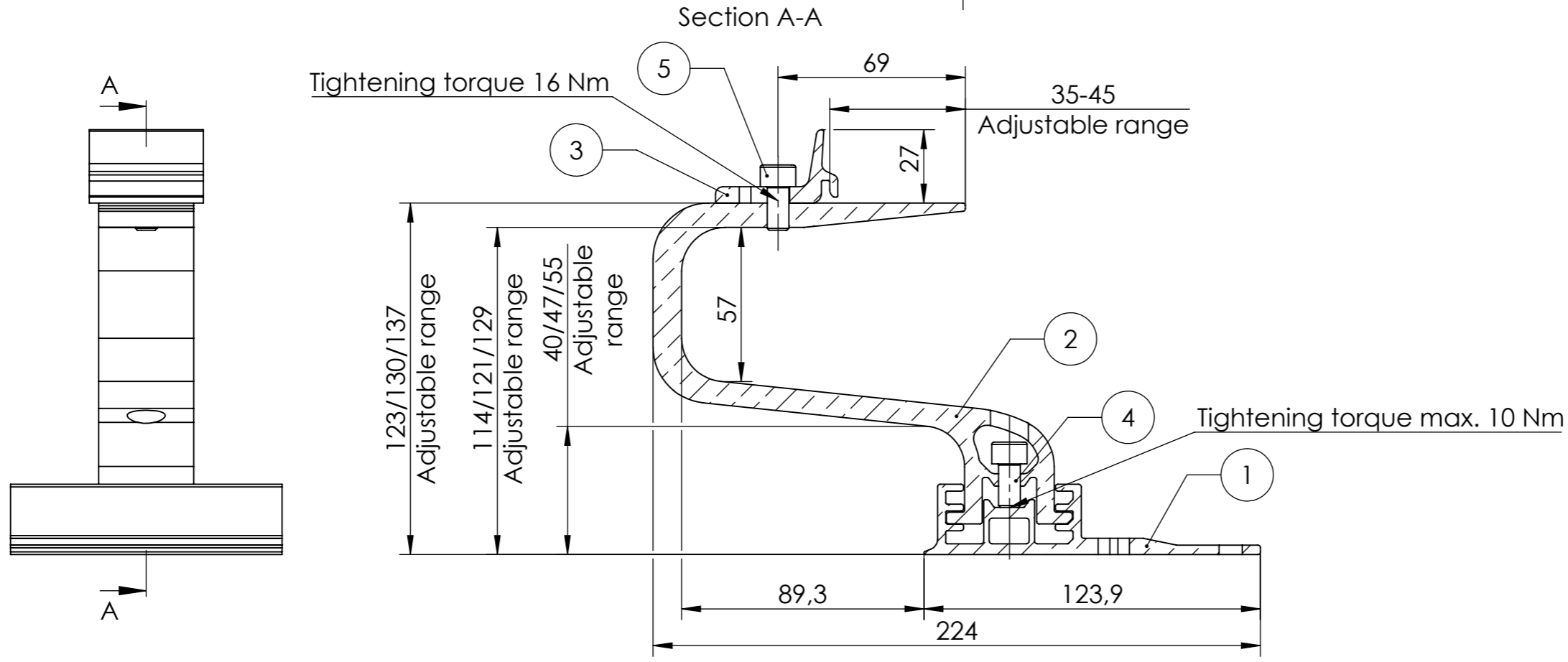


1 2 3 4 5 6 7 8

A B C D E F



Pos.No.	Designation	Material	Quantity
1	SingleHook 3S Baseplate	EN AW 6063 T66	1
2	SingleHook 3S Bracket	EN AW 6063 T66	1
3	Climber 36/50 long-hole	EN AW 6063 T66	1
4	Socket head bolt - ISO 4762 - M8x25	A2-70	1
5	Socket head bolt serrated - similar ISO 4762 - M8x20 alternative: Socket head bolt - ISO 4762 - M8x20 with serrated washer type "S"	A2-70	1

K2 systems K2 Systems GmbH
 Industriestr. 18
 71272 Renningen
 Germany
 +49 7159 42059-0

Name	Date	Material:
Designed A. Gerstenberger	08.06.2020	see table
Approved A. Soumpalas	21.03.2023	Surface: -
Last change A. Gerstenberger	21.03.2023	Weight: ca. 586,4 g/pc Scale: 1:2

This drawing is the sole property of K2 Systems GmbH. It is protected by copyright and may only be copied, reproduced or distributed to a third party with explicit permission!

Designation: **Data sheet SingleHook 3S**

Item no.: **2003215** A3

Drawing no.: 02-115-07 All dimensions in mm

Sheet 1 of 1

1 2 3 4